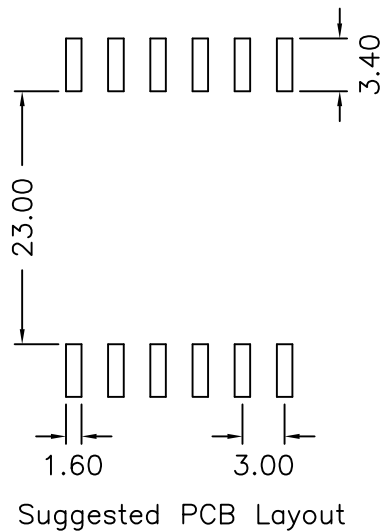
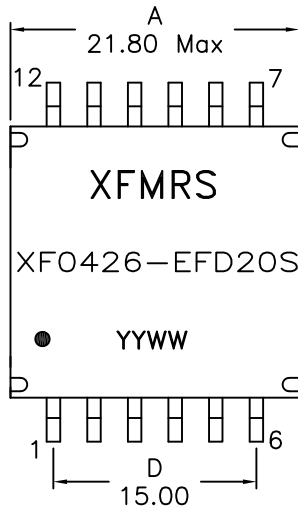
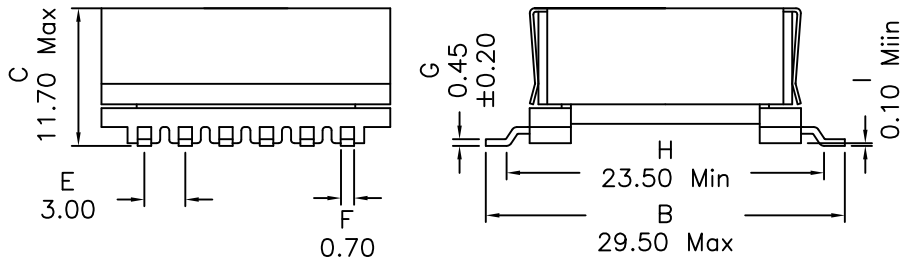


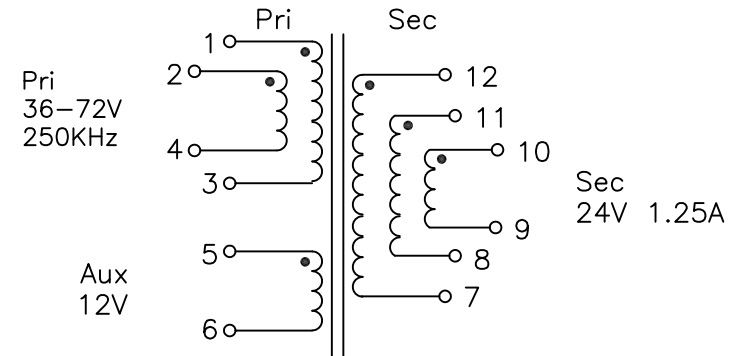
## 1. Mechanical Dimensions:



### Notes:

1. Solderability: Leads shall meet MIL-STD-202G, Method 208H for solderability.
2. Flammability: UL94V-0
3. ASTM oxygen index: > 28%
4. Insulation System: Class F 155°C. UL file E151556
5. Operating Temperature Range: -40C to +85C
6. Storage Temperature Range: -55°C to +125°C
7. Aqueous wash compatible
8. SMD Lead Coplanarity: ±0.004"(0.102mm)
9. Electrical and mechanical specifications 100% tested
10. RoHS Compliant Component
11. Recommended IR Reflow temp of 250C Max

## 2. Schematic:



## 3. Electrical Specifications: @25°C

OCL: Pins 1,2-4,3 42uH±10% @250KHz, 0.7V

Q: Pins 1,2-4,3 15 Min @250KHz, 0.7V

LL: Pins 1,2-4,3 0.310uH Max @250KHz, 0.7V, Short Secs

DCR: Pins 1,2-4,3 0.060 Ohms Max

Pins 5-6 0.195 Ohms Max

Pins 12,11,10-7,8,9 0.055 Ohms Max

Turns Ratio: Pins (1,2-3,4):(12,11,10-7,8,9):(5-6)=  
1.00:0.667:0.333±2%

Isolation Voltage: 1500Vrms, Pri&Aux to Sec

Isolation Voltage: 500Vrms, Pri to Aux

Peak Primary Current: 2.6A

SRF: Pins 1,2-4,3 1.0MHz Min

<b>XFMRS Inc</b> www.XFMRS.com		Title: 30W POE Transformer	
UNLESS OTHERWISE SPECIFIED TOLERANCES: .xx ±0.25 Dimensions in MM	P/N: XF0426-EFD20S	REV. A	
	DWN.	Juan Mao	May-05-17
	CHK.	YK Liao	May-05-17
SHEET 1 OF 1	APP.	BSJ	May-05-17

DOC. REV A/3

**PROPRIETARY**

Document is the property of XFMRS Group & is not allowed to be duplicated without authorization.