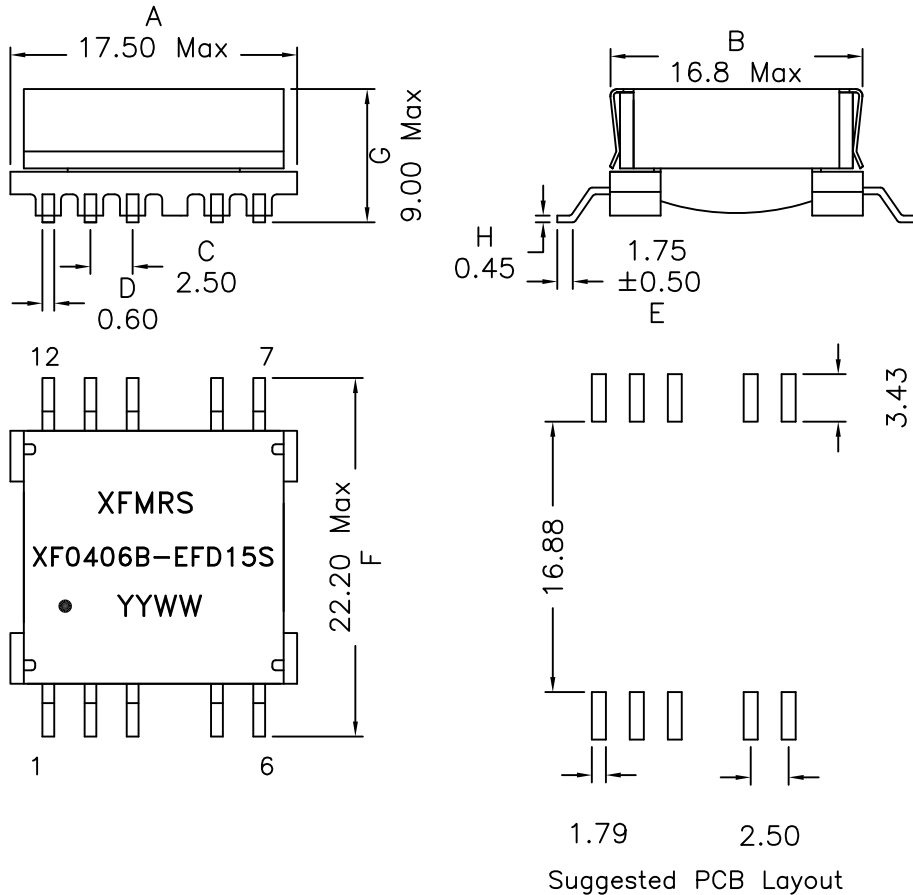


1. Mechanical Dimensions:

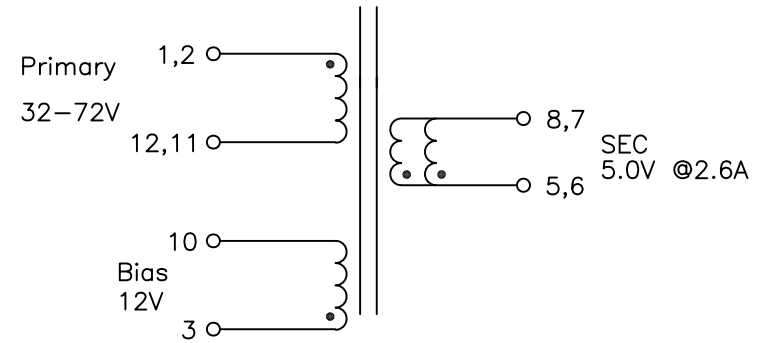


Notes:

1. Solderability: Leads shall meet MIL-STD-202G, Method 208H for solderability.
2. Flammability: UL94V-0
3. ASTM oxygen index: > 28%
4. Insulation System: Class F 155°C. UL file E151556
5. Operating Temperature Range: -40°C to +125°C
6. Storage Temperature Range: -55°C to +125°C
7. Aqueous wash compatible
8. SMD Lead Coplanarity: 0.004"(0.102mm) Max
9. Electrical and mechanical specifications 100% tested
10. RoHS Compliant Component
11. Recommended IR Reflow peak temp of 250°C Max.

DOC REV: A/3

2. Schematic:



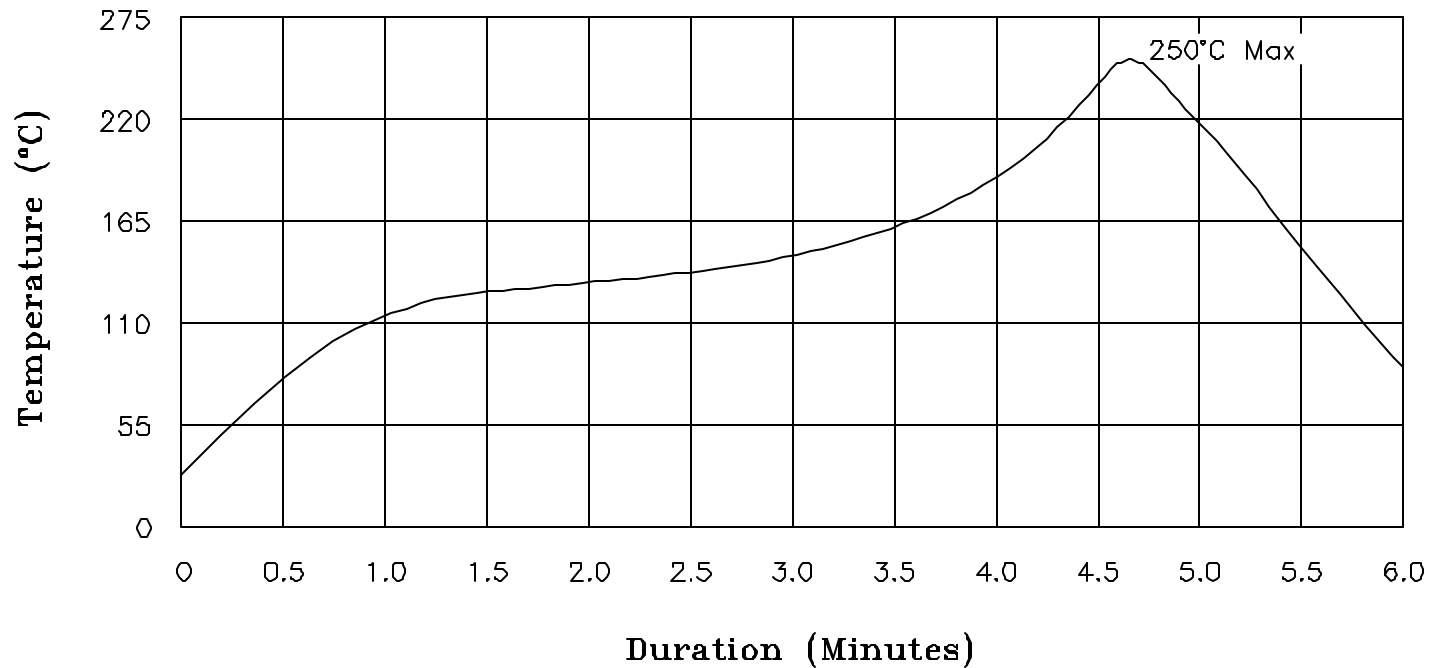
3. Electrical Specifications:

- OCL: Pins 1,2-11,12 40uH $\pm 10\%$ @250KHz 0.3V
 OCL: Pins 1,2-11,12 36uH Min @250KHz 0.3V, 2.1Adc
 LL: Pins 1,2-11,12 2.5uH Max @250KHz 0.3V, Short Sec
 DCR: Pins 1-12 0.385 Ohms Max
 Pins 2-11 0.385 Ohms Max
 Pins 5-8 0.022 Ohms Max
 Pins 6-7 0.022 Ohms Max
 Pins 3-10 0.165 Ohms Max
- Turns Ratio: Pins (1,2-11,12):(5,6-8,7):(3-10)
 =1:0.15:0.35 $\pm 2\%$
- Isolation Voltage: 1500Vrms, Pri&Bias to Sec
 500Vrms, Pri to Bias
- Q: Pins 1,2-11,12 5 Min @250KHz 0.3V
 SRF: Pins 1,2-11,12 800KHz Min

XFMR5 Inc www.XFMR5.com	Title: TRANSFORMER		
	UNLESS OTHERWISE SPECIFIED TOLERANCES: .xx ± 0.25 Dimensions in MM	P/N: XF0406B-EFD15S	REV. A
SHEET 1 OF 1	DWN.	Huo	Apr-24-18
	CHK.	YK Liao	Apr-24-18
	APP.	BSJ	Apr-24-18

XFMRs

Recommended Infrared Reflow Temperature Profile for Select Parts



NOTES: Maximum duration at 250°+0/-5° shall be 10-15 seconds.
 Maximum duration above 217° shall be 50-120 seconds.
 ALL Temperatures refer to topside of the package, measured on the package body surface.

XFMRs Inc www.XFMRs.com	Title: IR REFLOW CHART (250°C)			
	UNLESS OTHERWISE SPECIFIED TOLERANCES: N/A		P/N: N/A	REV. A
	DWN.	Juan Mao	Dec-20-06	
	CHK.	YK Liao	Dec-20-06	
SHEET 1 OF 1	APP.	Joe Huff	Dec-20-06	