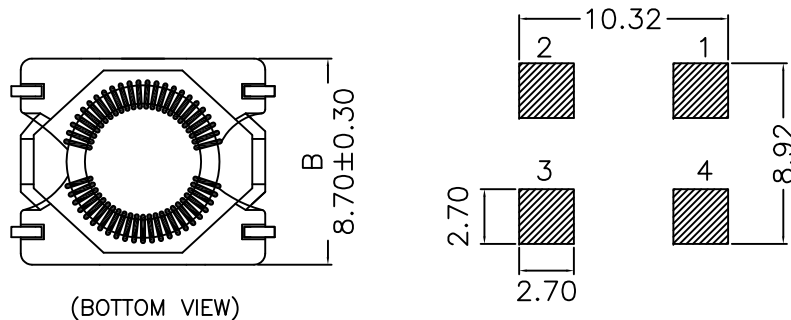
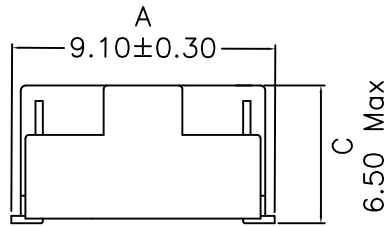
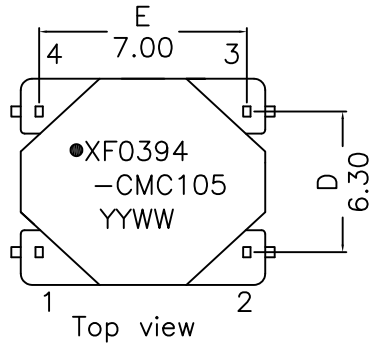


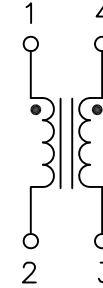
1. Mechanical Dimensions:



PRELIMINARY

DOC. REV: A/-

2. Schematic:



3. Electrical Specifications: @25°C

OCL: 3900uH±40% @10KHz, 0.1V (Each Wdg)

Rated Current: 520mAdc Max

Q: tbd Min @10KHz, 0.1V (Each Wdg)

SRF: tbd

DCR: 0.540 Ohms Max (Each Wdg)

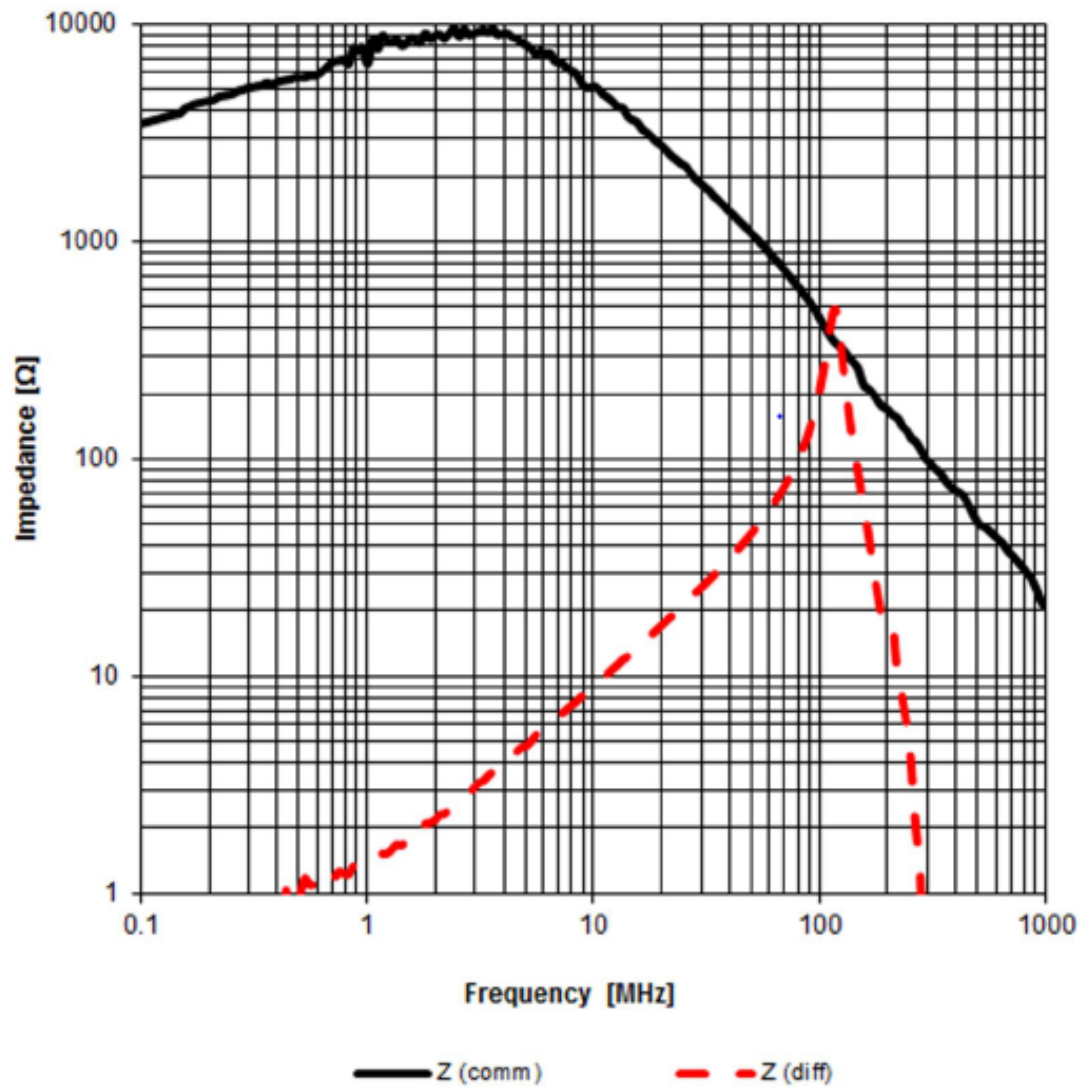
LL: Pins 1-2 tbd @100KHz 0.1V Short Pins 4-3

Hipot: 300Vac Leakage current 1mA Max, 1 Min ,Wdg to Wdg,

Notes:

1. Solderability: Leads shall meet MIL-STD-202G, Method 208H for solderability.
2. Flammability: UL94V-0
3. ASTM oxygen index: > 28%
4. Insulation System: Class F 155°C. UL file E151556
5. Operating Temperature Range: All listed parameters are to be within tolerance from -40°C to +85°C
6. Storage Temperature Range: -55°C to +125°C
7. Aqueous wash compatible
8. SMD Lead Coplanarity: ±0.004"(0.102mm)
9. Electrical and mechanical specifications 100% tested
10. RoHS Compliant Component

XFMRs Inc. www.XFMRs.com		Title: Common Mode Choke	
UNLESS OTHERWISE SPECIFIED TOLERANCES: .xxx ±0.010 Dimensions in Inch	XF0394-CMC105		REV. A
	DWN.	Yuan	Aug-27-15
	CHK.	YK Liao	Aug-27-15
SHT 1 OF 2	APP.	GL	Aug-27-15



PRELIMINARY

DOC. REV: A/-

XFMRs Inc. www.XFMRS.com	Title: Common Mode Choke		
	UNLESS OTHERWISE SPECIFIED	P/N: XF0394-CMC105	REV. A
TOLERANCES: .xxx ±0.010	DWN.	Yuan	Aug-27-15
Dimensions in Inch	CHK.	YK Liao	Aug-27-15
SHT 2 OF 2	APP.	GL	Aug-27-15

PROPRIETARY

Document is the property of XFMRs Group & is not allowed to be duplicated without authorization.