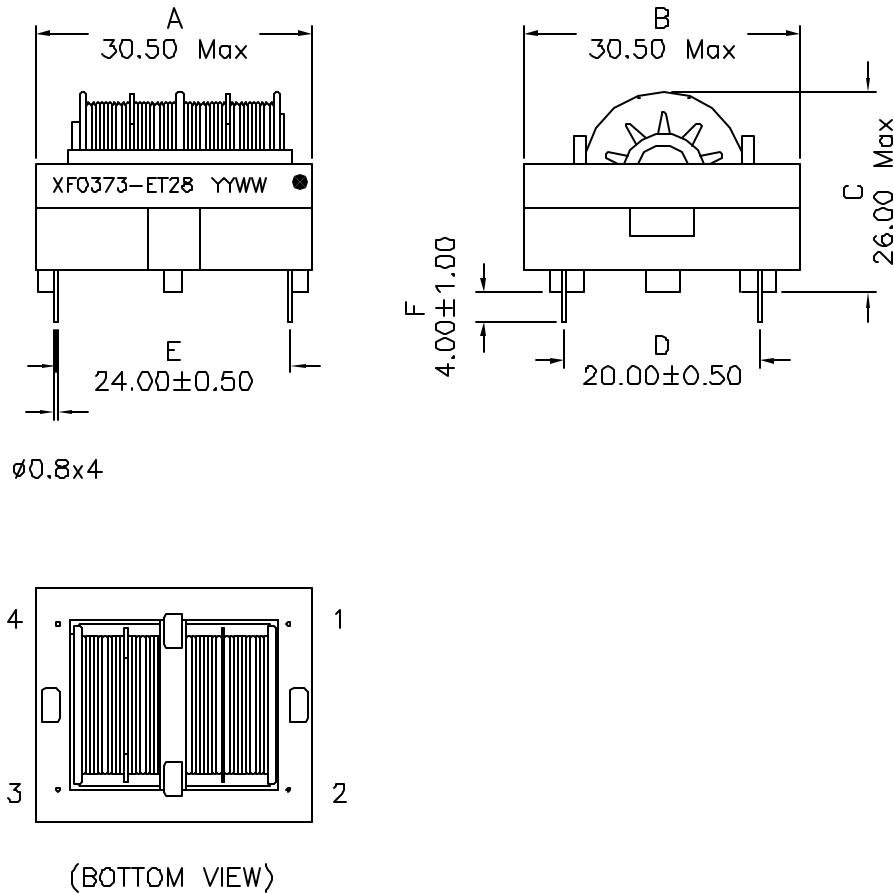
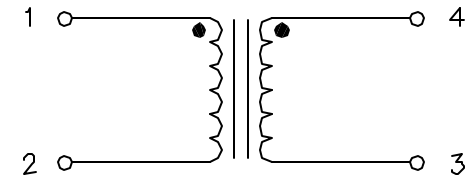


1. Mechanical Dimensions:



2. Schematic:



3. Electrical Specifications:

OCL: 37mH Min @10KHz 0.1V, Each Wdg

OCL: 20mH Min @10KHz 0.1V, Each Wdg -40°C

Q: Pins 1-2 40 Min @10KHz 0.1V

LL: Pins 1-4 300uH Min @100KHz 0.1V Short Pins3+2

DCR: 0.660 Ohms Max, Each Wdg

Rated Current: 0.90Aac

Hipot: 3000Vac, Wdg to Wdg, Wdgs to Core

Notes:

1. Solderability: Leads shall meet MIL-STD-202G, Method 208H for solderability.
2. Flammability: UL94V-0
3. ASTM oxygen Index: $> 28\%$
4. Insulation System: Class F 155°C. UL file E151556
5. All listed parameters are to be within tolerance from -40°C to $+85^{\circ}\text{C}$ unless otherwise noted
6. Storage Temperature Range: -55°C to $+125^{\circ}\text{C}$
7. Aqueous wash compatible
8. Electrical and mechanical specifications 100% tested
9. RoHS Compliant Component

XFMRs Inc www.XFMRs.com		Title: LINE FILTER	
UNLESS OTHERWISE SPECIFIED TOLERANCES: .xx ± 0.30 Dimensions in mm	P/N: XF0373-ET28		REV. A
	DWN.	Xianyí	Aug-11-08
	CHK.	YK Liao	Aug-11-08
SHEET 1 OF 1	APP.	BW	Aug-11-08

DOC REV: A/4

PROPRIETARY Document is the property of XFMRs Group & is not allowed to be duplicated without authorization.