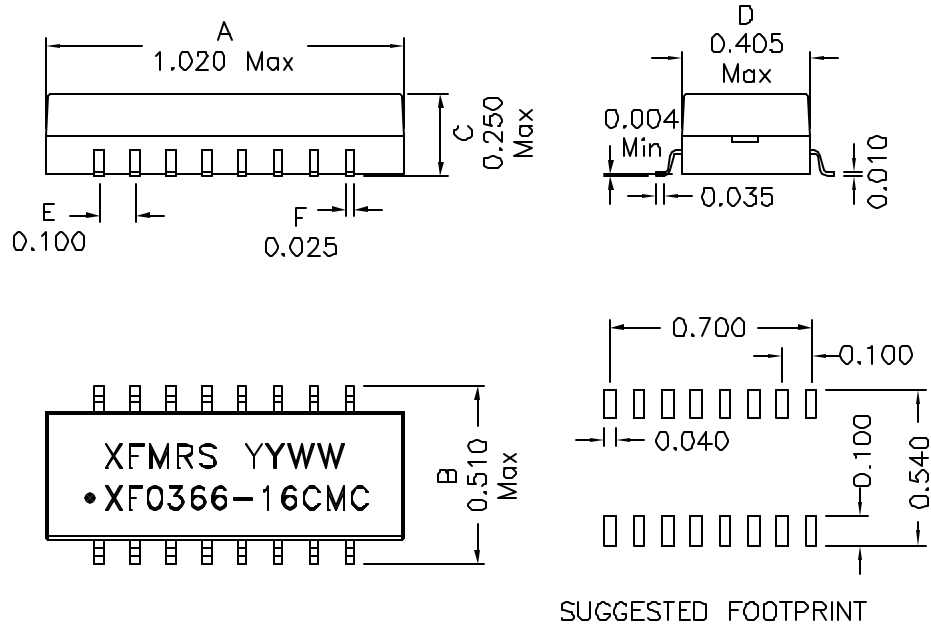


### 1. Mechanical Dimensions:



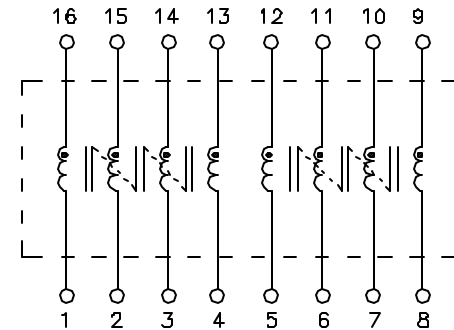
CO-PLANARITY ± 0.004 Max

**Notes:**

1. Solderability: Leads shall meet MIL-STD-202G, Method 208H for solderability.
2. Flammability: UL94V-0
3. ASTM oxygen index: > 28%
4. Insulation System: Class F 155°C, UL file E151556
5. Operating Temperature Range: All listed parameters are to be within tolerance from -40°C to +85°C
6. Storage Temperature Range: -55°C to +125°C
7. Aqueous wash compatible
8. SMD Lead Coplanarity: ±0.004"(0.102mm)
9. Electrical and mechanical specifications 100% tested
10. RoHS Compliant Component

DOC. REV: A/3

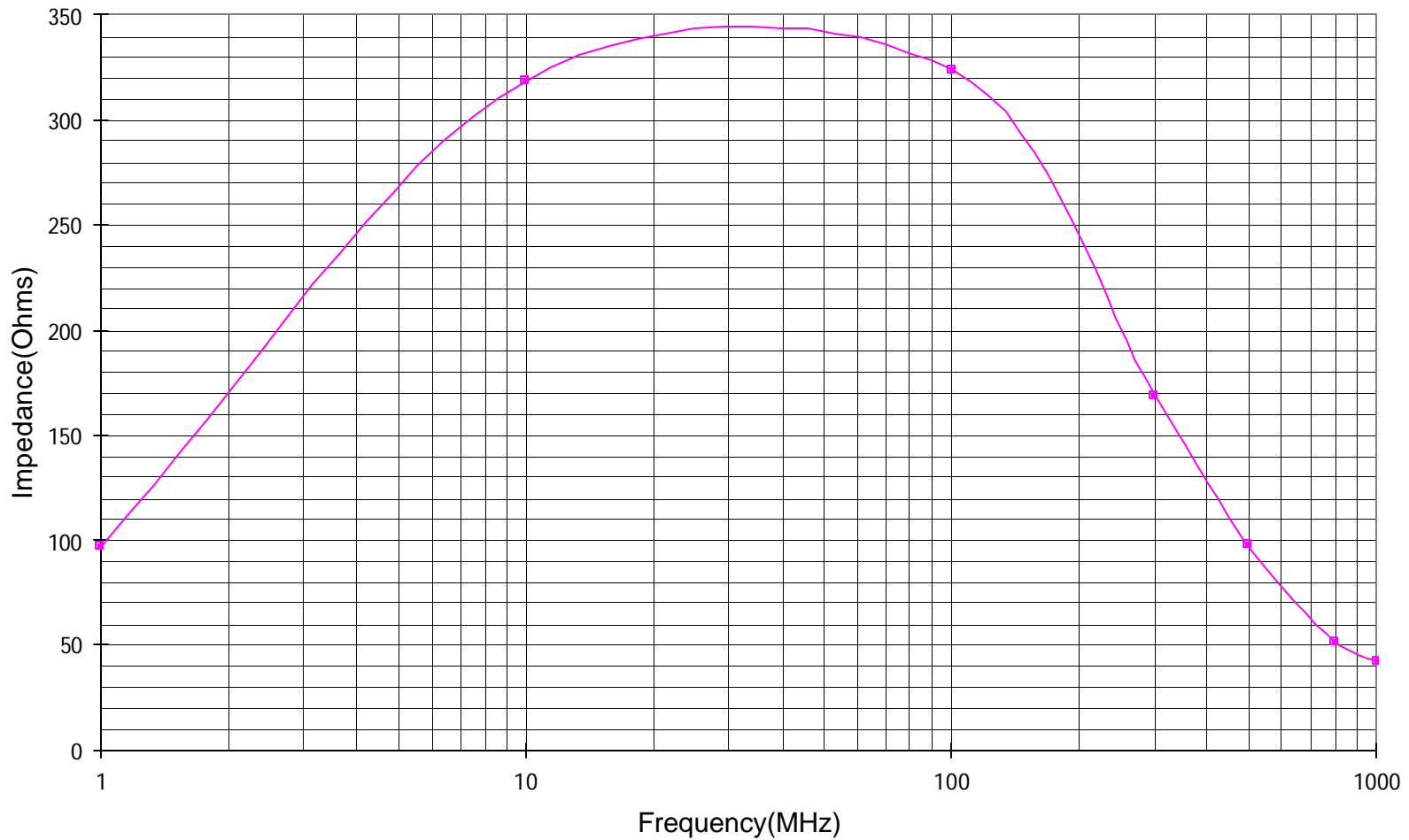
### 2. Schematic:



### 3. Electrical Specifications: @25°C

- Isolation Voltage: 500 Vrms (Input to Output)
- OCL: 36uH Typ @100KHz 50mV, Each wdg
- Q: 5 Min @10KHz 50mV
- DCR: 0.3 Ohms Max, Each wdg
- Cw/w: 18pF Max @100KHz 0.1V
- CURRENT CAPACITY: 500mA Max, Each wdg

<b>XFMRS Inc.</b> www.XFMRS.com	Title: DUAL CMR CHOKE		
	UNLESS OTHERWISE SPECIFIED TOLERANCES: .xxx ±0.010 Dimensions in Inch	P/N: XF0366-16CMC	REV. A
	DWN.	Feng	Mar-20-12
	CHK.	YK Liao	Mar-20-12
SHEET 1 OF 1	APP.	Joe Huff	Mar-20-12



DOC.REV A/3

<b>XFMRs Inc</b> www.XFMRS.com	Title: <b>DUAL CMR CHOKE</b>		
	P/N: XF0366-16CMC		REV. A
UNLESS OTHERWISE SPECIFIED TOLERANCES: .xxx ±0.010 Inch Dimensions in Inch/mm	DWN.	Feng	Mar-20-11
	CHK.	YK Liao	Mar-20-11
	APP.	Joe Huff	Mar-20-11
SHT 2 OF 2			

**PROPRIETARY** Document is the property of XFMRs Group & is not allowed to be duplicated without authorization.