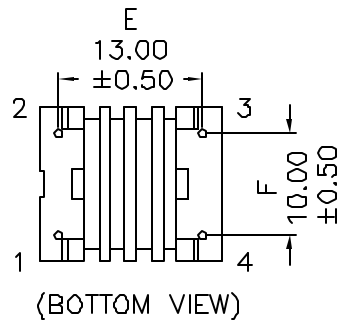
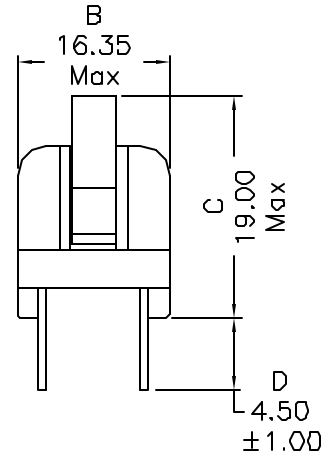
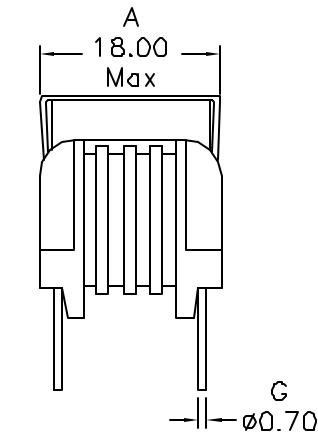
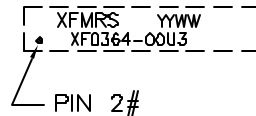


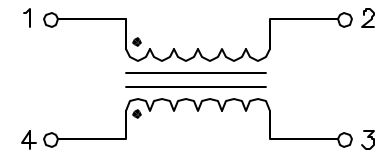
1. Mechanical Dimensions:



MARKING: (ON TOP OF CLIP)



2. Schematic:



3. Electrical Specifications:

Inductance: 3.6mH Min @100KHz 0.1V Each Wdg.
2.0mH Min @100KHz 0.1V Each Wdg -25°C

Q: Pins 1-2 15 Min @10KHz 0.1V

LL: Pins 1-2 35uH Min @100KHz 0.1V short 4+3

DCR: 0.370 Ohms Max Each Wdg.

Turns Ratio (±2%): (1-2):(4-3) = 1:1

Insulation Resistance: 100 MOhms Min

Rated Voltage: 250V

Rated Current: 1.0A

HI-POT: 2000VAC 1 second Wdg. to Wdg., Wdgs. to Core

Notes:

1. Solderability: Leads shall meet MIL-STD-202G, Method 208H for solderability.
2. Flammability: UL94V-0
3. ASTM oxygen index: > 28%
4. Insulation System: Class F 155°C, UL file E15155B
5. All listed parameters are to be within tolerance from -40C to +85C unless otherwise noted
6. Storage Temperature Range: -55°C to +125°C
7. Aqueous wash compatible
8. Electrical and mechanical specifications 100% tested
9. RoHS Compliant Component

DOC. REV. A/2

PROPRIETARY Document is the property of XFMR5 Group & is not allowed to be duplicated without authorization.

XFMR5 Inc www.XFMR5.com	Title: LINE FILTER	
UNLESS OTHERWISE SPECIFIED TOLERANCES: .xx ±0.25 Dimensions in MM	P/N: XF0364-00U3	REV. A
	DWN. Juan Mao	Dec-18-08
	CHK. YK Liao	Dec-18-08
SHEET 1 OF 1	APP. Joe Huff	Dec-18-08