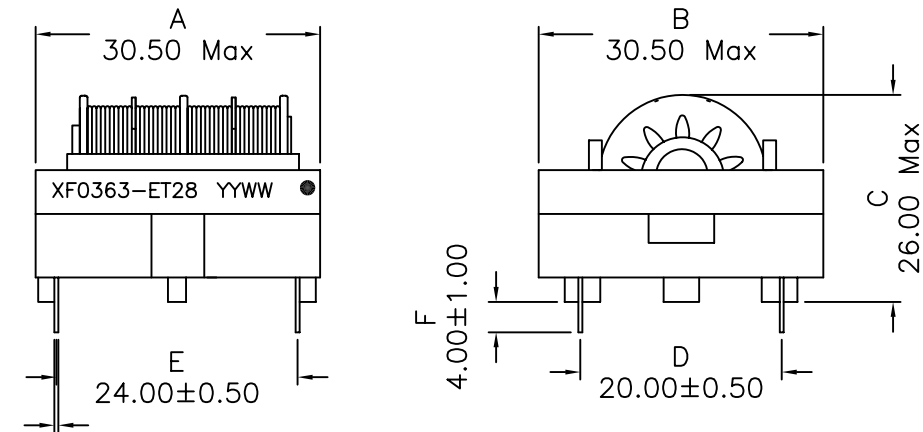
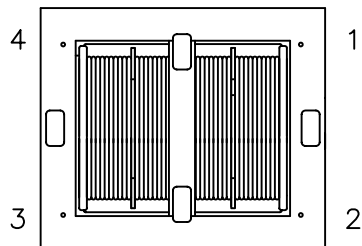


### 1. Mechanical Dimensions:

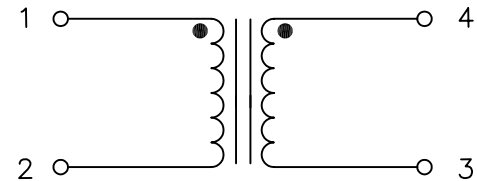


∅0.8x4



(BOTTOM VIEW)

### 2. Schematic:



### 3. Electrical Specifications:

- OCL: 36mH ±30% @10KHz 0.1V, Each Wdg
- DCR: 0.591 Ohms Typ, Each Wdg
- Rated Current: 1.0Aac
- Hipot: 3000Vac, Wdg to Wdg, Wdgs to Core

Notes:

1. Solderability: Leads shall meet MIL-STD-202G, Method 208H for solderability.
2. Flammability: UL94V-0
3. ASTM oxygen index: > 28%
4. Insulation System: Class F 155°C. UL file E151556
5. All listed parameters are to be within tolerance from -40C to +85C unless otherwise noted
6. Storage Temperature Range: -55°C to +125°C
7. Aqueous wash compatible
8. Electrical and mechanical specifications 100% tested
9. RoHS Compliant Component

<b>XFMRs Inc</b> www.XFMRs.com		Title: LINE FILTER	
UNLESS OTHERWISE SPECIFIED TOLERANCES: .xx ±0.30 Dimensions in mm	P/N: XF0363-ET28		REV. A
	DWN.	Xianyi	Jun-30-09
	CHK.	YK Liao	Jun-30-09
SHEET 1 OF 1	APP.	BW	Jun-30-09

DOC REV: A/1