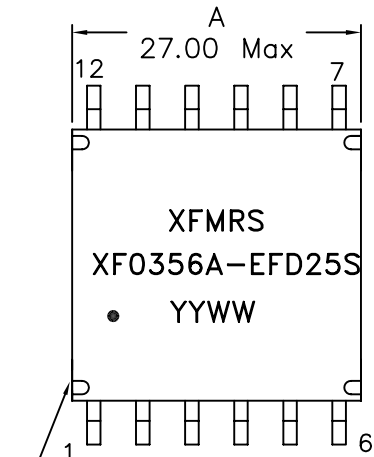
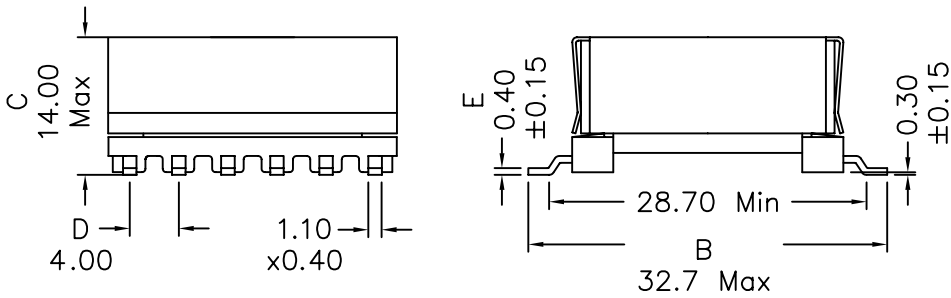
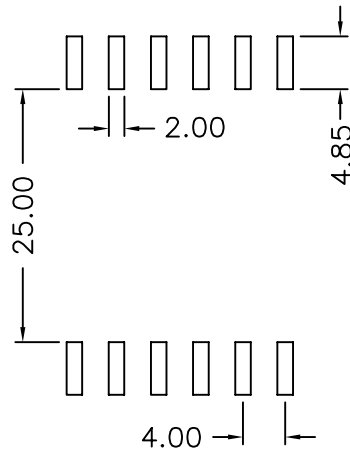


1. Mechanical Dimensions:



NOTCH INDICATES PIN1

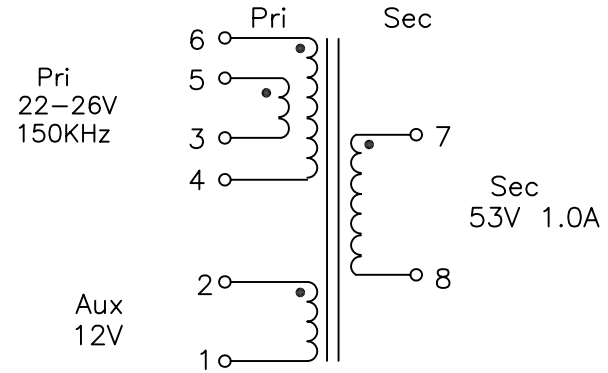


Suggested PCB Layout

Notes:

- Solderability: Leads shall meet MIL-STD-202G, Method 208H for solderability.
- Flammability: UL94V-0
- ASTM oxygen index: > 28%
- Insulation System: Class F 155°C. UL file E151556
- Operating Temperature Range: All listed parameters are to be within tolerance from -40°C to +125°C
- Storage Temperature Range: -55°C to +125°C
- Aqueous wash compatible
- SMD Lead Coplanarity: ±0.004"(0.102mm)
- Electrical and mechanical specifications 100% tested
- RoHS Compliant Component

2. Schematic:



3. Electrical Specifications: @25°C

- OCL: Pins6,5-3,4 35uH±10% @150KHz, 0.1V
- OCL: Pins6,5-3,4 31.5uH Min @150KHz, 0.1V, 5.9Adc
- LL: Pins6,5-3,4 0.230uH Max @150KHz, 0.1V Short Sec
- Q: Pins6,5-3,4 tbd Min @150KHz, 0.1V
- DCR: Pins6,5-3,4 0.029 Ohms Max
- DCR: Pins7-8 0.074 Ohms Max
- DCR: Pins2-1 0.208 Ohms Max
- Turn Ratio: Pins6,5-3,4:7-8:2-1 = 1:1.40:0.33
- l_{pk}: 5.9Adc
- Hipot: 1500Vrms Pri and Bias to Sec

XFMRS Inc www.XFMRS.com	Title: 50W Flyback Transformer		
	UNLESS OTHERWISE SPECIFIED TOLERANCES: .xx ±0.25 Dimensions in MM	P/N: XF0356A-EFD25S	REV. A
SHEET 1 OF 1	DWN.	Juan Mao	Jan-12-10
	APP.	YK Liao	Jan-12-10
	BW		Jan-12-10

DOC. REV A/1

PROPRIETARY

Document is the property of XFMRS Group & is not allowed to be duplicated without authorization.