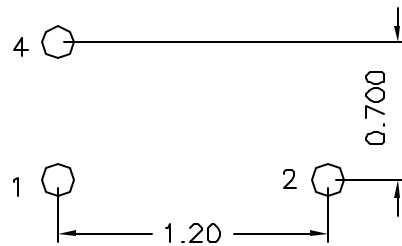
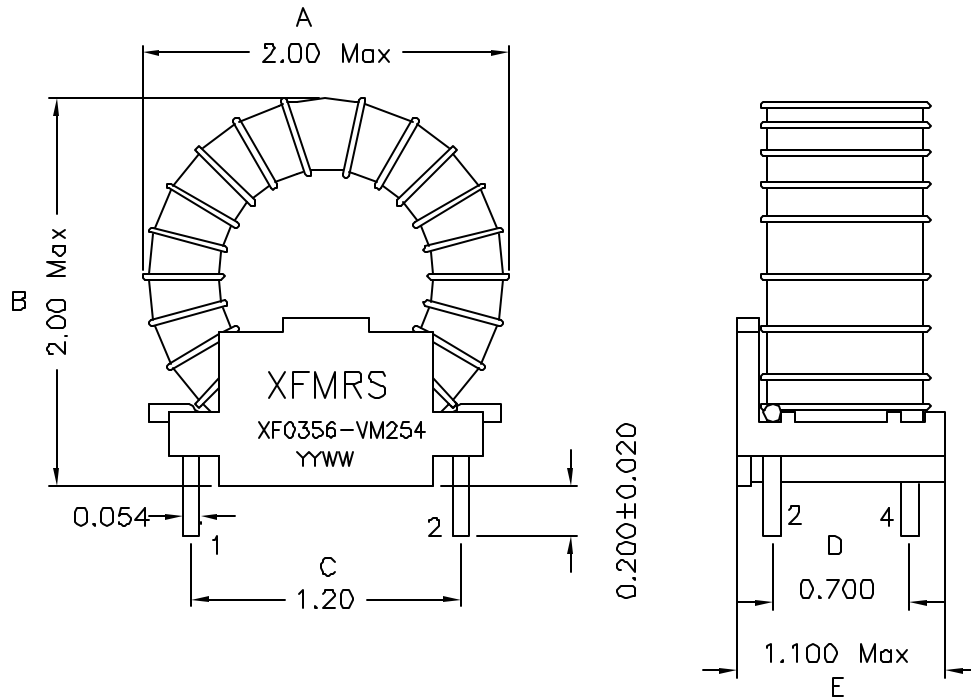


1. Mechanical Dimensions:



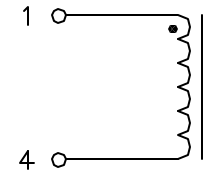
SUGGESTED FOOTPRINT

Notes:

1. Solderability: Leads shall meet MIL-STD-202G, Method 208H for solderability.
2. Flammability: UL94V-0
3. ASTM oxygen index: > 28%
4. Insulation System: Class F 155°C. UL file E151558
5. Operating Temperature Range: All listed parameters are to be within tolerance from -40°C to +85°C
6. Storage Temperature Range: -55°C to +125°C
7. Aqueous wash compatible
8. Electrical and mechanical specifications 100% tested
9. RoHS Compliant Component

Doc Rev.: A/2

2. Schematic:



3. Electrical Specifications:

QCL: 35uH Min @15.75KHz 0.1V
 Irated: 12Adc
 DCR: 0.020 Ohms Max

PROPRIETARY

Document is the property of XFMRS Group & is not allowed to be duplicated without authorization.

XFMRS Inc www.XFMRS.com		Title: Inductor	
UNLESS OTHERWISE SPECIFIED TOLERANCES: .xx ±0.02 Dimensions in Inch	P/N: XF0356-VM254	REV. A	
	DWN.	廖玉坤	Jul-17-07
	CHK.	李清儿	Jul-17-07
SHEET 1 OF 1	APP.	BW	Jul-17-07