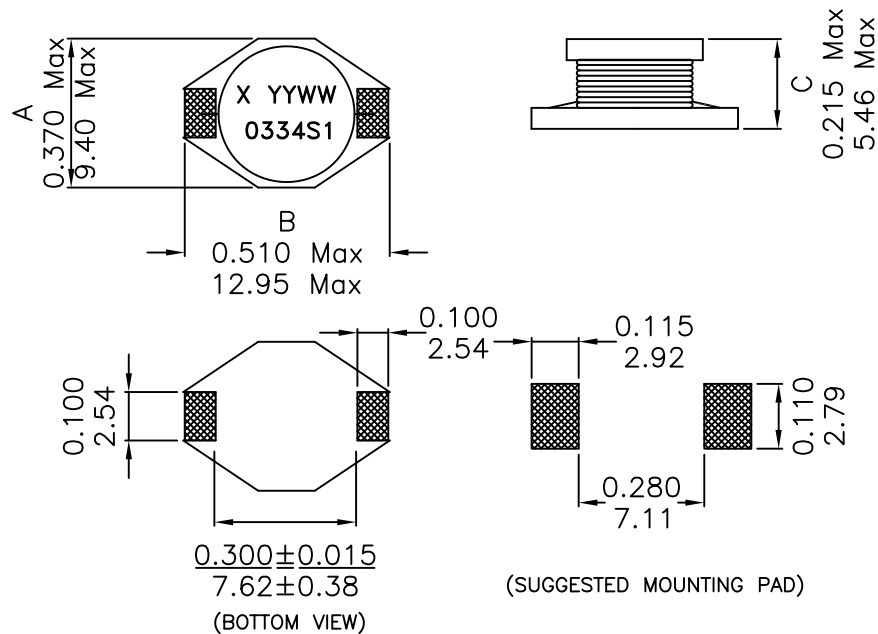
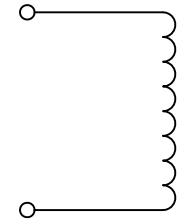


1. Mechanical Dimensions:



2. Schematic:



3. Electrical Specifications:@25°C

INDUCTANCE: 3.3mH $\pm 20\%$ @1.0KHz 0.1V

IDC: 0.18A (Based on 10% typ drop in OCL)

DC RESISTANCE: 14 Ohms Max

Notes:

1. Solderability: Leads shall meet MIL-STD-202, Method 208D for solderability.
2. Flammability: UL94V-0
3. ASTM oxygen index: > 28%
4. Insulation System: Class F 155°C. UL file E151556
5. Operating Temperature Range: All listed parameters are to be within tolerance from -40°C to +85°C
6. Storage Temperature Range: -55°C to +125°C
7. Aqueous wash compatible
8. SMD Lead Coplanarity: $\pm 0.004"$ (0.102mm)
9. Moisture Sensitivity: Level 2
10. Electrical and mechanical specifications 100% tested
11. RoHS Compliant Component

XFMRs Inc.	Title: XFSMD1 SERIES INDUCTORS		
	UNLESS OTHERWISE SPECIFIED TOLERANCES: .xxx ± 0.010 INCH Dimensions in INCH/MM		P/N: XF0334S1
	DWN.	Yuan	Feb-21-17
	CHK.	YK Liao	Feb-21-17
	APP.	GL	Feb-21-17

DOC. REV. A/3