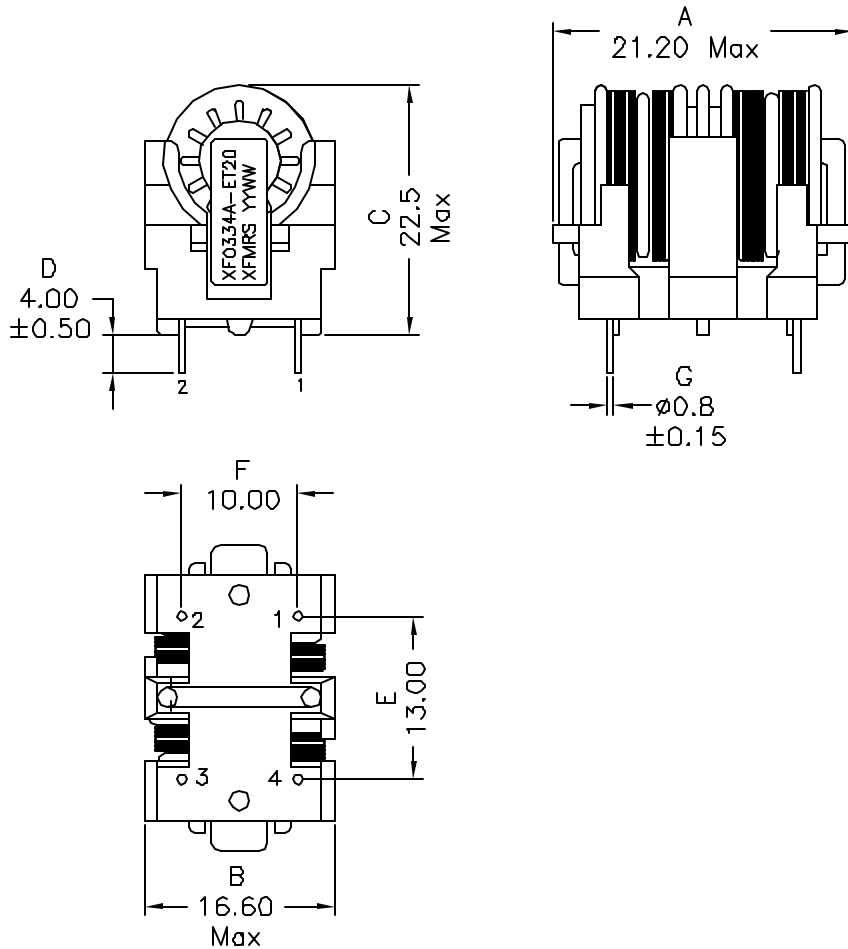
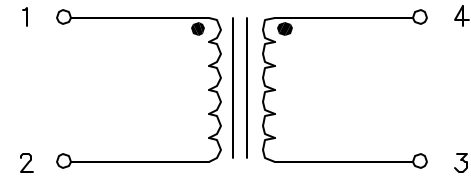


### 1. Mechanical Dimensions:



### 2. Schematic:



### 3. Electrical Specifications:

- OCL: 3.3mH Min @10KHz 0.1V, Each Wdg  
2.2mH Min @10KHz 0.1V -40°C to -0°C
- Q: Pins 1-2 15 Min @10KHz 0.1V
- LL: Pins 1-2 80uH Max @10KHz 0.1V, Short 4+3
- DCR: 0.210 Ohms ±10%, Each Wdg
- IDC: 1.2Arms Max
- Rated Voltage: 250Vac/dc
- Isolation Voltage: 1500Vac Wdg to Wdg

**Notes:**

- Solderability: Leads shall meet MIL-STD-202G, Method 208H for solderability.
- Flammability: UL94V-0
- ASTM oxygen index: > 28%
- Insulation System: Class F 155°C. LUL file E151556
- All listed parameters are to be within tolerance from -40°C to +85°C unless otherwise noted.
- Storage Temperature Range: -55°C to +125°C
- Aqueous wash compatible
- Electrical and mechanical specifications 100% tested
- RoHS Compliant Component

DOC REV: A/2

<b>XFMRs Inc</b> www.XFMRS.com	Title: LINE FILTER		
	UNLESS OTHERWISE SPECIFIED	P/N: XF0334A-ET20	REV. A
TOLERANCES:	DWN.	Xiany	Feb-21-09
.xx ±0.30	CHK.	YK Liao	Feb-21-09
Dimensions in mm	APP.	Joe Huff	Feb-21-09
SHEET 1 OF 1			