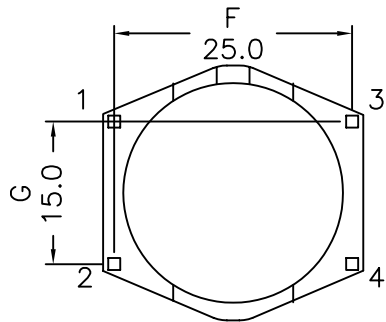
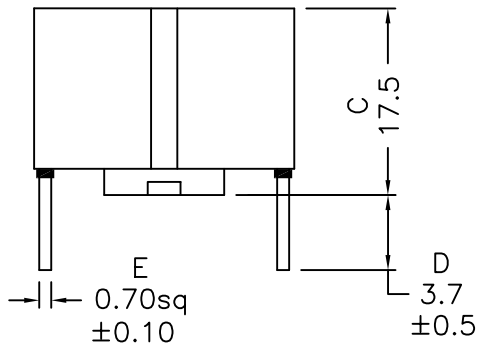
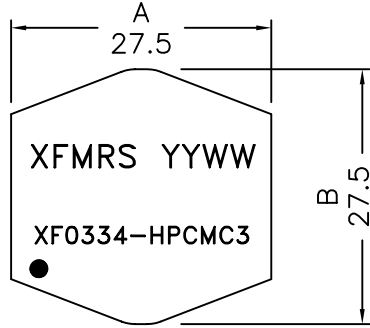
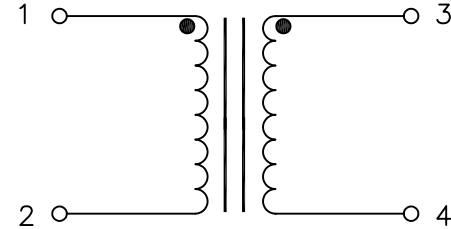


### 1. Mechanical Dimensions:



(BOTTOM VIEW)

### 2. Schematic:



### 3. Electrical Specifications:@25°C

- OCL: 3.3mH+50/-30% @10KHz 0.05V Each Wdg.
- OCL: 1.0mH Min @10KHz 0.05V Each Wdg at -40°C
- Q: 45 Min @10KHz 0.05V Each Wdg
- DCR: 51.75mOhms Max, Each Wdg.
- Rated Voltage: 250V Max @DC to 1KHz
- Rated Current: 4Arms
- Hipot: 1500Vac, Wdgs to Wdgs, 2 Sec

Notes:

1. Solderability: Leads shall meet MIL-STD-202G, Method 208H for solderability.
2. Flammability: UL94V-0
3. ASTM oxygen index: > 28%
4. Insulation System: Class F 155°C. UL file E151556
5. Operating Temperature Range: All listed parameters are to be within tolerance from -40°C to +125°C
6. Storage Temperature Range: -40°C to +125°C
7. Aqueous wash compatible
8. Electrical and mechanical specifications 100% tested
9. RoHS Compliant Component

DOC. REV A/2

<b>XFMRS Inc.</b> www.XFMRS.com		Title: Common Mode Choke	
UNLESS OTHERWISE SPECIFIED TOLERANCES: .xx ±0.30		P/N:XF0334-HPCMC3	REV. A
Dimensions in mm		DWN.	Xianyi
SHEET 1 OF 1		CHK.	YK Liao
		APP.	BW
			Mar-26-09
			Mar-26-09
			Mar-26-09