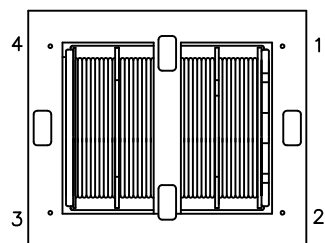
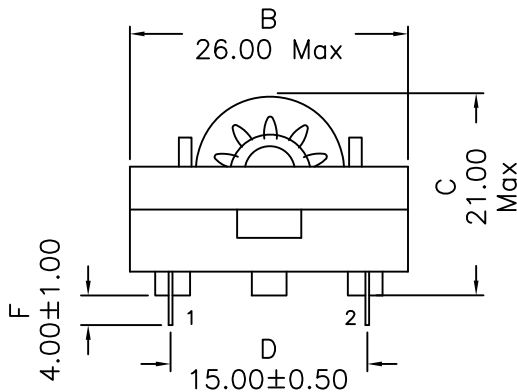
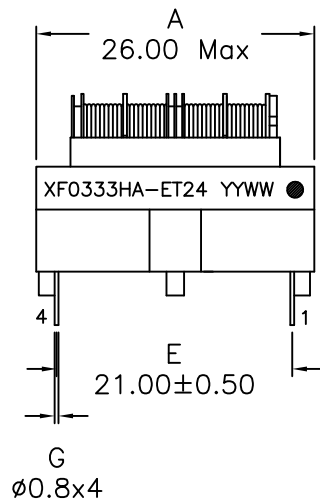


## 1. Mechanical Dimensions:

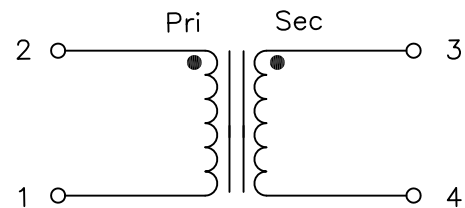


(BOTTOM VIEW)

### Notes:

- Solderability: Leads shall meet MIL-STD-202G, Method 208H for solderability.
- Flammability: UL94V-0
- ASTM oxygen index: > 28%
- Insulation System: Class F 155°C. UL file E151556
- All listed parameters are to be within tolerance from -40°C to +105°C unless otherwise noted.
- Storage Temperature Range: -55°C to +125°C
- Aqueous wash compatible
- Electrical and mechanical specifications 100% tested
- RoHS Compliant Component

## 2. Schematic:



## 3. Electrical Specifications: @25°C

- OCL: 33mH Min @1KHz 0.25V, Each Wdg  
 18mH Min @1KHz 0.25V, Each Wdg -40°C to 0°C  
 Q: 5 Min @1KHz 0.25V, Each Wdg  
 LL: Pins 2-1 700uH Max @10KHz 0.25V  
 Short Pins 3-4
- DCR: 1.40 Ohms Max, Each Wdg  
 SRF: Pins 2-1 185KHz Min  
 Irated: 800mAac (Based on 45°C Temp Rise)  
 Turns Ratio: Pins (2-1):(3-4)= 1.000:1.000 ± 2%  
 Hipot: 1800Vac, Wdg to Wdg

DOC. REV: A/2

<b>XFMRs Inc</b> www.XFMRS.com	Title: <b>LINE FILTER</b>		
	UNLESS OTHERWISE SPECIFIED TOLERANCES: .xx ±0.30 Dimensions in mm	P/N: XF0333HA-ET24	REV. A
SHEET 1 OF 1	DWN.	Yuan	Jan-30-13
	CHK.	YK Liao	Jan-30-13
	APP.	BSJ	Jan-30-13

**PROPRIETARY**

Document is the property of XFMRs Group & is not allowed to be duplicated without authorization.