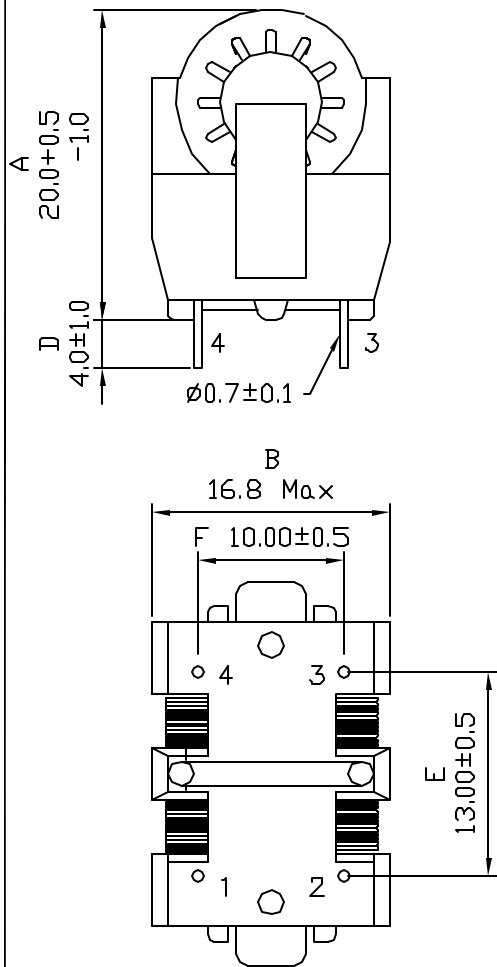
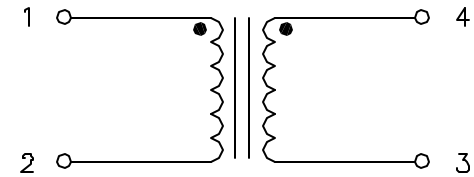


1. Mechanical Dimensions:



2. Schematic:



3. Electrical Specifications:

OCL: 33mH Min @10KHz 0.1V, Each Wdg
 Rated Current: 0.3Arms Max
 Rated Voltage: 250Vrms Max
 Isolation Voltage: 2000Vac
 DCR: 3.2 Ohms Max (Each Wdg)

Notes:

1. Solderability: Leads shall meet MIL-STD-202, Method 20BD for solderability.
2. Flammability: UL94V-0
3. ASTM oxygen index: > 28%
4. Insulation System: Class F 155°C. UL file E151556
5. Operating Temperature Range: All listed parameters are to be within tolerance from -40°C to +85°C
6. Storage Temperature Range: -55°C to +125°C
7. Aqueous wash compatible
8. SMD Lead Coplanarity: $\pm 0.004^\circ$ (0.102mm)
9. Moisture Sensitivity: Level 3
10. Electrical and mechanical specifications 100% tested
11. RoHS Compliant Component

DOC REV: A/2

XFMRs Inc www.XFMRs.com	Title: LINE FILTER		
	UNLESS OTHERWISE SPECIFIED TOLERANCES:	P/N: XF0333-ET20	REV. A
.xx ± 0.30	DWN.	Juan Mao	Sep-29-06
Dimensions in mm	CHK.	YK Liao	Sep-29-06
SHEET 1 OF 1	APP.	BW	Sep-29-06