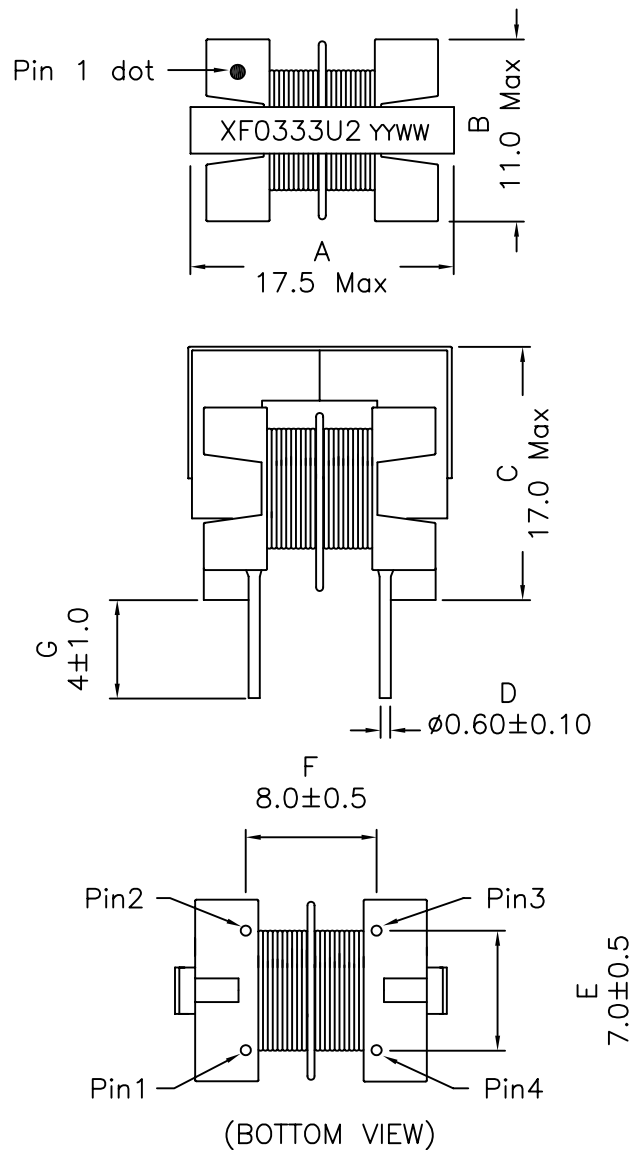
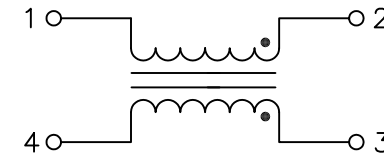


1. Mechanical Dimensions:



2. Schematic:



3. Electrical Specifications:

Turns Ratio: (1-2):(4-3)=1:1±1%

OCL: 33mH Min @10KHz 0.1V

DCR: Pins 1-2,4-3 4.95 Ohms Max

Rated Current: 0.20Arms

Hipot: 2000Vac (Pins 1-2 to Pins 4-3)

2000Vac (Windings to Core)

Rated Voltage: 250Vac Max

Notes:

1. Solderability: Leads shall meet MIL-STD-202G, Method 208H for solderability.
2. Flammability: UL94V-0
3. ASTM oxygen index: > 28%
4. Insulation System: Class F 155°C. UL file E151556
5. Operating Temperature Range: All listed parameters are to be within tolerance from -40°C to +85°C
6. Storage Temperature Range: -55°C to +125°C
7. Aqueous wash compatible
8. Electrical and mechanical specifications 100% tested
9. RoHS Compliant Component

XFMRs Inc www.XFMRs.com	Title: COMMON MODE CHOKE		
	UNLESS OTHERWISE SPECIFIED TOLERANCES: .xx ±0.30 Dimensions in MM	P/N: XF0333-00U2	REV. A
SHEET 1 OF 1	DWN.	Xiany	Feb-25-09
	CHK.	YK Liao	Feb-25-09
	APP.	BW	Feb-25-09

DOC. REV: A/1