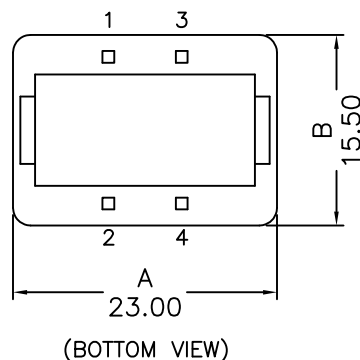
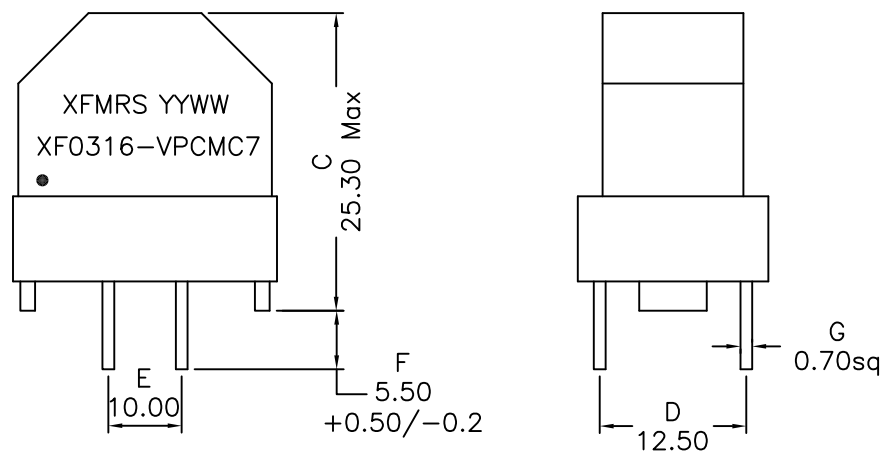


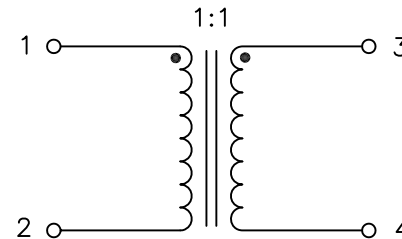
1. Mechanical Dimensions:



Notes:

1. Solderability: Leads shall meet MIL-STD-202G, Method 208H for solderability.
2. Flammability: UL94V-0
3. ASTM oxygen index: > 28%
4. Insulation System: Class F 155°C. UL file E151556
5. All listed parameters are to be within tolerance from -40°C to +125°C unless otherwise noted.
6. Storage Temperature Range: -55°C to +125°C
7. Aqueous wash compatible
8. Electrical and mechanical specifications 100% tested
9. RoHS Compliant Component

2. Schematic:

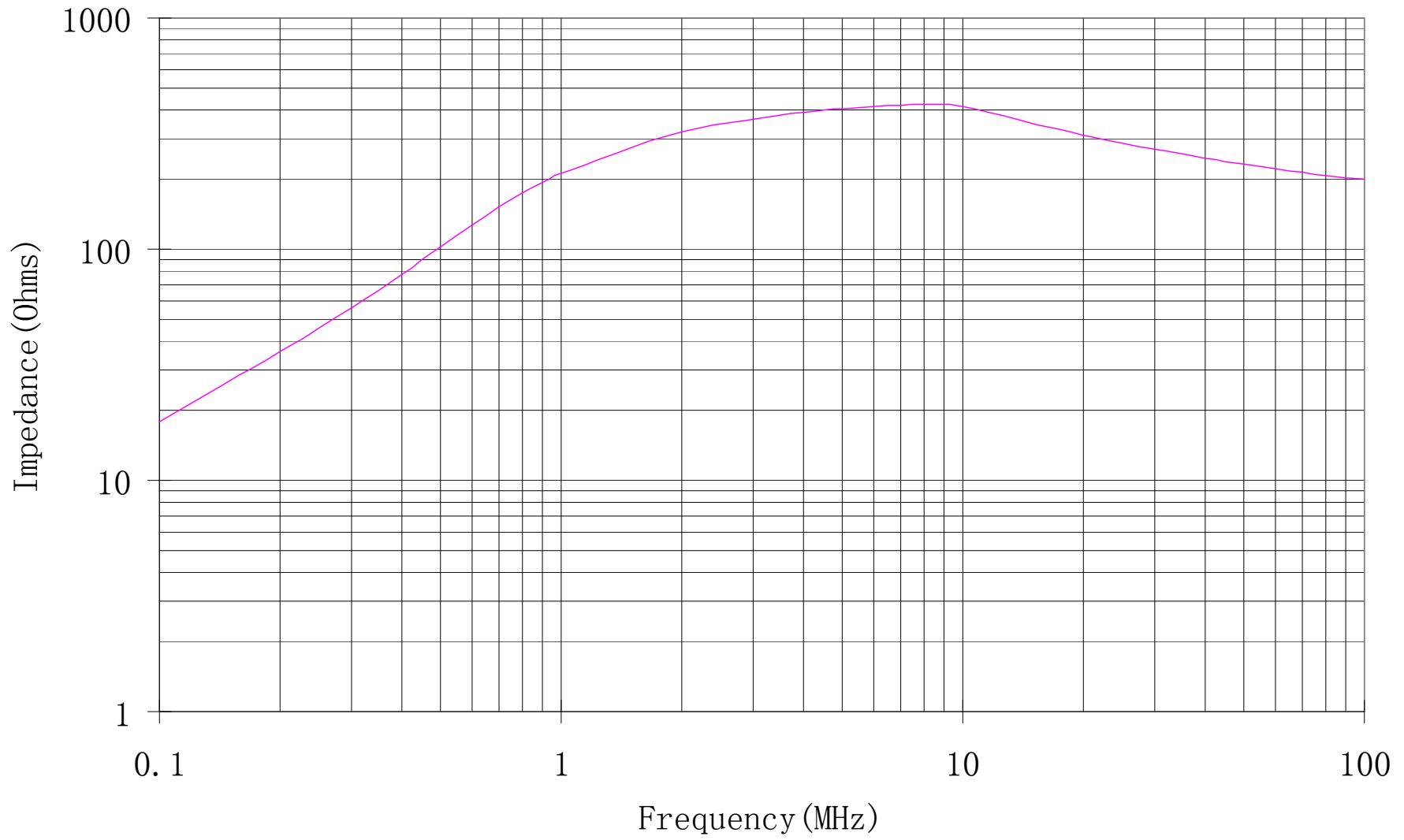


3. Electrical Specifications:

- OCL: 31uH±30% @100KHz 0.1V, Each Wdg (0 to 85°C)
 15uH Min @100KHz 0.1V, Each Wdg (-40C to 0C)
- Q: 70 Min @10KHz 0.1V
- DCR: 58mOhms Max, Each Wdg
- Rated RMS Current: 2.0 Amps Max
- Hipot: 1500VAC Wdg. to Wdg. for 60 Secs
- Rated Voltage: 250VAC 50/60Hz

DOC. REV: A/1

XFMRs Inc. www.XFMRs.com		Title: COMMON MODE EMI SUPPRESSION INDUCTOR	
UNLESS OTHERWISE SPECIFIED TOLERANCES: .xx ±0.25 Dimensions in MM	P/N: XF0316-VPCMC7		REV. A
	DWN.	Feng	Jan-28-15
SHEET 1 OF 2	CHK.	YK Liao	Jan-28-15
	APP.	Joe Huff	Jan-28-15



DOC. REV: A/1

XFMRs Inc. www.XFMRs.com	Title: COMMON MODE EMI SUPPRESSION INDUCTOR		
	UNLESS OTHERWISE SPECIFIED TOLERANCES: .xx ±0.25 Dimensions in MM		P/N: XF0316-VPCMC7 REV. A
	DWN.	Feng	Jan-28-15
	CHK.	YK Liao	Jan-28-15
SHEET 1 OF 2	APP.	Joe Huff	Jan-28-15

PROPRIETARY

Document is the property of XFMRs Group & is not allowed to be duplicated without authorization.