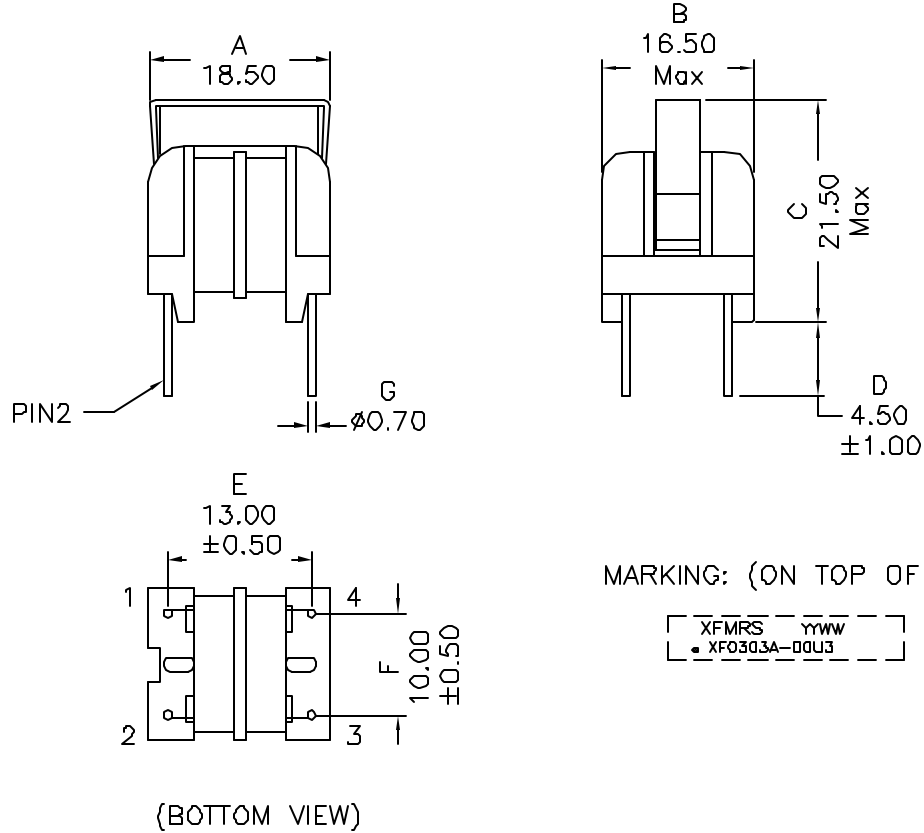
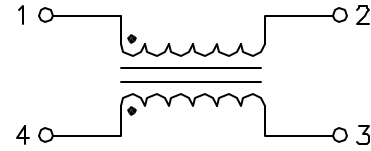


1. Dimensions:



2. Schematic:



3. Electrical Specifications:

- OCL: 30mH Min @1KHz 1V Each Wdg.
- Q: Pin 1-3 5 Min @1KHz 100mV ,Tie 2+4
- DC Resistance: 1.73 Ohms Max Each Wdg.
- Rated Voltage: 250VAC
- Rated Current: 0.5Arms (Based on 35°C Temp Rise)
- HI-POT: 3750VAC Wdg to Wdg at 2mA leakage current
- Insulation Resistance: 100 MOhms Min

Notes:

- Solderability: Leads shall meet MIL-STD-202G, Method 208H for solderability.
- Flammability: UL94V-0
- ASTM oxygen index: > 28%
- Insulation System: Class F 155°C, UL file E151556
- Operating Temperature Range: All listed parameters are to be within tolerance from -55°C to +105°C
- Storage Temperature Range: -55°C to +125°C
- Aqueous wash compatible
- Electrical and mechanical specifications 100% tested
- RoHS Compliant Component

DOC. REV. A/2

PROPRIETARY Document is the property of XFMRS Group & is not allowed to be duplicated without authorization.

XFMRS Inc www.XFMRS.com	Title: LINE FILTER	
	P/N: XF0303A-00U3	REV. A
UNLESS OTHERWISE SPECIFIED TOLERANCES: .xx ±0.25 Dimensions in MM	DWN.	Juan Mao Jun-06-08
	CHK.	YK Liao Jun-06-08
SHEET 1 OF 1	APP.	Joe Huff Jun-06-08