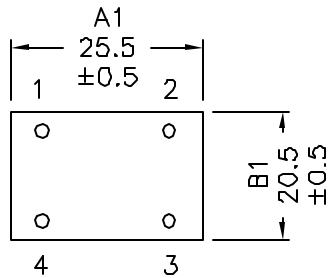
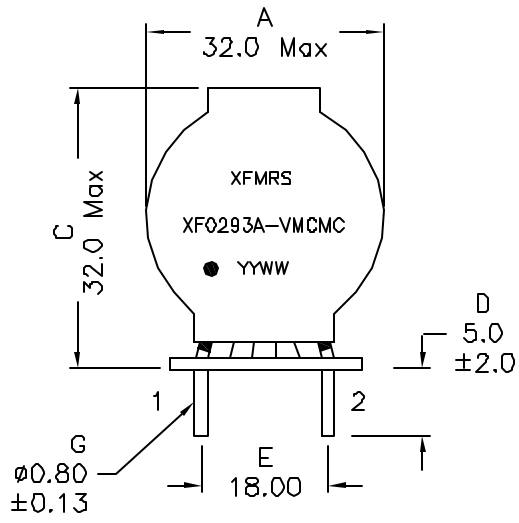
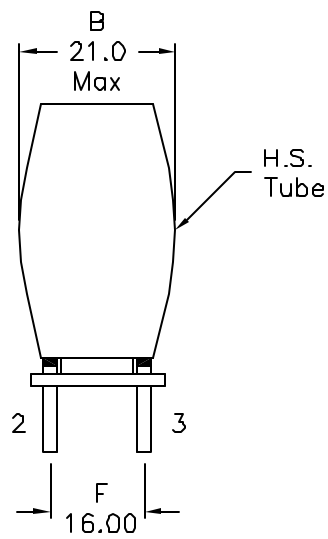


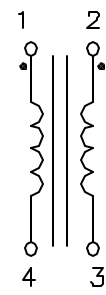
**1. Mechanical Dimensions:**



Bottom View



**2. Schematic:**



**3. Electrical Specifications: @25°C**

OCL: 29mH+50/-30% @16KHz, 0.1V (each), 0°C to +85°C  
 9.00mH Min @16KHz, 0.1V (each), -40°C to 0°C  
 DCR: 150 mOhms Max (each)  
 Temperature rise: 55K Max  
 Q: 5 Min @16KHz, 0.1V  
 Rated Voltage: 250VAC/VDC  
 Rated Current: 4Arms  
 Withstanding voltage: 2400VAC(Wdg to Wdg)  
 Insulation resistance: at 500VDC, more than 50MOhms between lines

**Notes:**

1. Solderability: Leads shall meet MIL-STD-202G, Method 208H for solderability.
2. Flammability: UL94V-0
3. ASTM oxygen index: > 28%
4. Insulation System: Class F 155°C. UL file E151556
5. All listed parameters are to be within tolerance from -40°C to +105°C unless otherwise noted
6. Storage Temperature Range: -55°C to +125°C
7. Aqueous wash compatible
8. Electrical and mechanical specifications 100% tested
9. RoHS Compliant Component

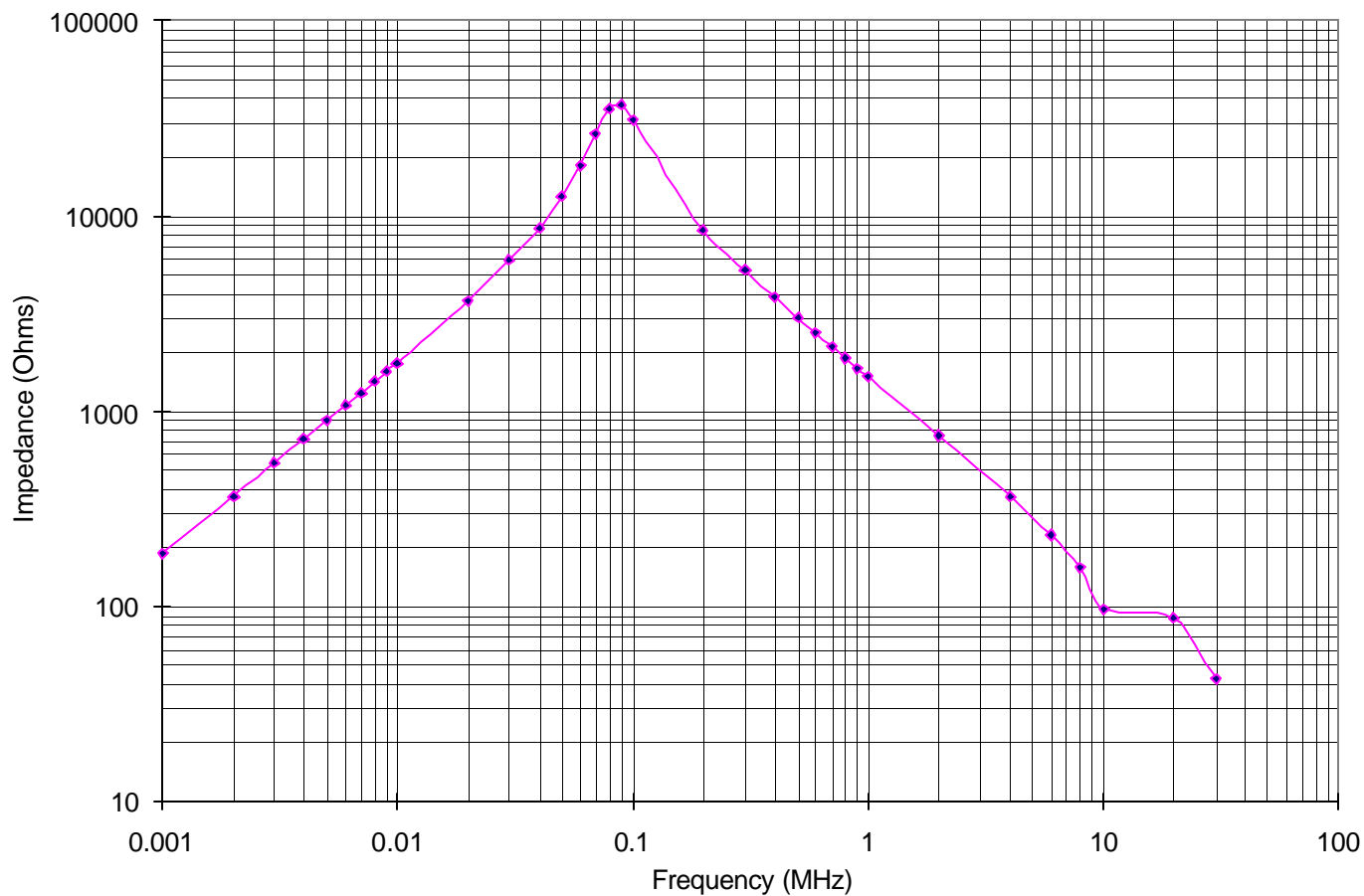
DOC. REV: A/6

**PROPRIETARY**

Document is the property of XFMRS Group & is not allowed to be duplicated without authorization.

<b>XFMRS Inc</b> www.XFMRS.com		Title: <b>AC Line Filters</b>	
UNLESS OTHERWISE SPECIFIED TOLERANCES: .xx ±0.25 Dimensions in MM	P/N: XF0293A-VMCMC	REV. A	
	DWN.	Feng	Jan-03-12
	CHK.	YK Liao	Jan-03-12
SHT 1 OF 2	APP.	Joe Huff	Jan-03-12

XF0293A-VMCMC



DOC. REV: A/6

<b>XFMRs Inc</b> www.XFMRS.com	Title: <b>AC Line Filters</b>		
	UNLESS OTHERWISE SPECIFIED	P/N: XF0293A-VMCMC	REV. A
TOLERANCES:	DWN.	Feng	Jan-03-12
.xx ±0.25	CHK.	YK Liao	Jan-03-12
Dimensions in MM	APP.	Joe Huff	Jan-03-12
SHT 2 OF 2			

**PROPRIETARY**

Document is the property of XFMRs Group & is not allowed to be duplicated without authorization.