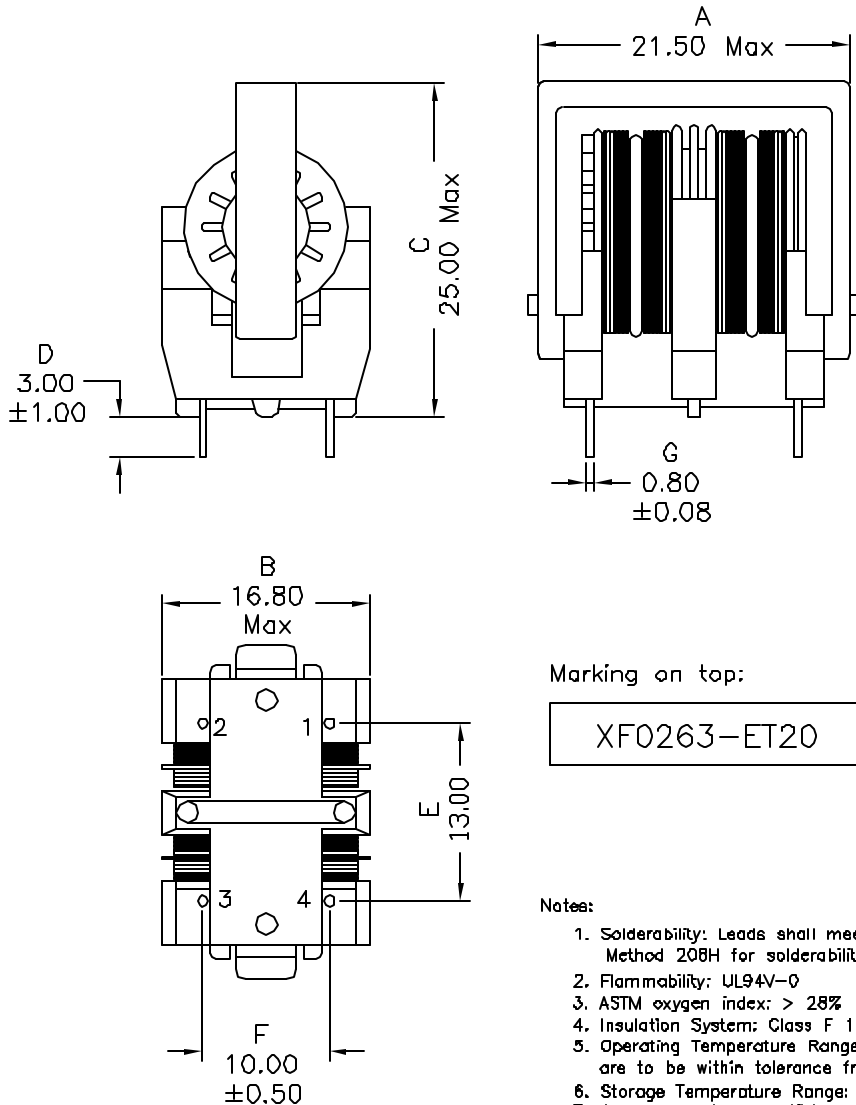


1. Mechanical Dimensions:

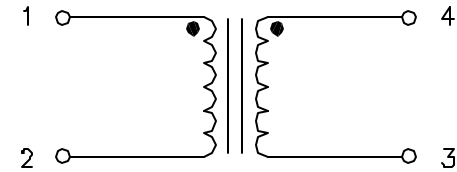


Marking on top:
 XF0263-ET20

- Notes:
- Solderability: Leads shall meet MIL-STD-202G, Method 208H for solderability.
 - Flammability: UL94V-0
 - ASTM oxygen index: > 28%
 - Insulation System: Class F 155°C, UL file E151556
 - Operating Temperature Range: All listed parameters are to be within tolerance from -20°C to +115°C
 - Storage Temperature Range: -55°C to +125°C
 - Aqueous wash compatible
 - Electrical and mechanical specifications 100% tested
 - RoHS Compliant Component

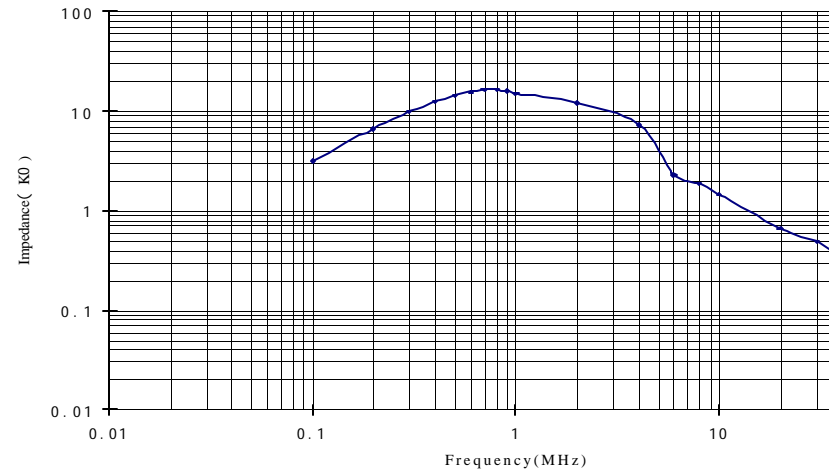
DOC REV: A/1

2. Schematic:



3. Electrical Specifications:

OCL: 26mH Min @10KHz 0.1V (-5°C to 115°C) each
 15mH Min @10KHz 0.1V (-20°C to -5°C) each
 Q: Pins 1-2 25 Min @10KHz 0.1V
 DCR: 1.0 Ohms±15% (Each Wdg)
 Rated Current: 0.5Aac Max
 Isolation Voltage: 2000Vac



XFMRs Inc www.XFMRs.com	Title: LINE FILTER		
	UNLESS OTHERWISE SPECIFIED	P/N: XF0263-ET20	REV. A
TOLERANCES: .xx ±0.30	DWN.	Feng	Apr-15-11
Dimensions in mm	CHK.	YK Liao	Apr-15-11
SHEET 1 OF 1	APP.	Joe Huff	Apr-15-11