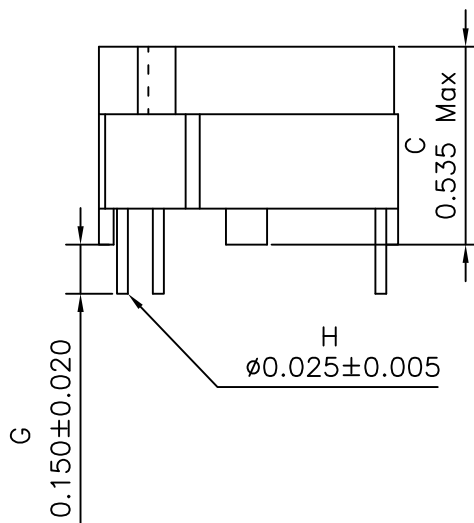
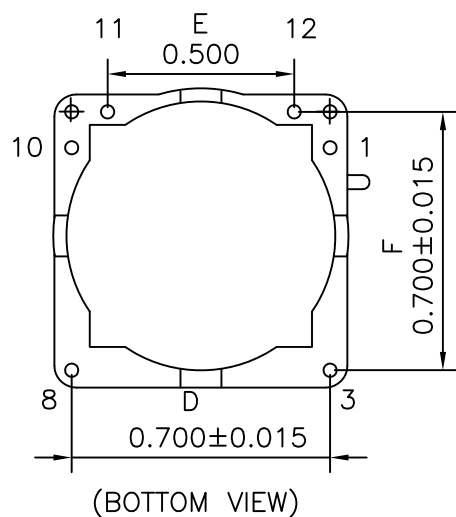
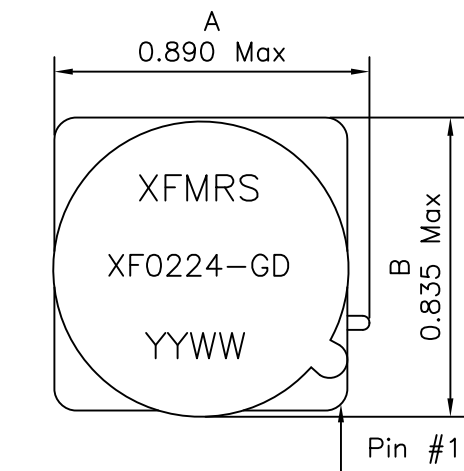


1. Mechanical Dimensions:



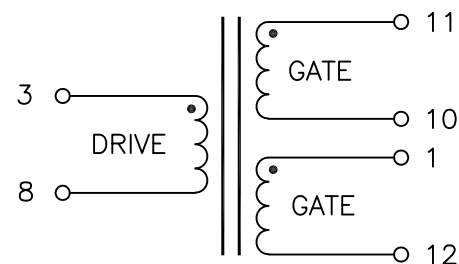
*Remove unused pins

Notes:

1. Solderability: Leads shall meet MIL-STD-202G, Method 208H for solderability.
2. Flammability: UL94V-0
3. ASTM oxygen index: > 28%
4. Insulation System: Class F 155°C. UL file E151556
5. Operating Temperature Range: All listed parameters are to be within tolerance from -40°C to +85°C
6. Storage Temperature Range: -55°C to +125°C
7. Aqueous wash compatible
8. Electrical and mechanical specifications 100% tested
9. RoHS Compliant Component

DOC REV: A/-

2. Schematic:



3. Electrical Specifications: @25°C

- OCL: 2.2mH±35% @10KHz 0.1V, Each Wdg
 LL: Pins 3-8 0.47uH Max @100KHz 0.1V, Short Gates
 Cww: Pins 3-11 tbdpF Max @100KHz 0.1V
 DCR: Pins 3-8 270 mOhms Max
 Pins 11-10 270 mOhms Max
 Pins 1-12, 270 mOhms Max
 Turns Ratio: (3-8):(11-10):(1-12)=1:1:1±5%
 HIPOT: 5250Vac, Wdgs to Wdgs
 Q: Pins 3-8 tbd Min @10KHz, 0.1V

PRELIMINARY

XFMRs Inc. www.XFMRS.com	Title: GATE DRIVE		
UNLESS OTHERWISE SPECIFIED TOLERANCES: .xxx±0.010	P/N: XF0224-GD		REV. A
	DWN.	Feng	Nov-18-16
Dimensions in Inch	CHK.	YK Liao	Nov-18-16
SHEET 1 OF 1	APP.	GL	Nov-18-16

PROPRIETARY

Document is the property of XFMRs Group & is not allowed to be duplicated without authorization.