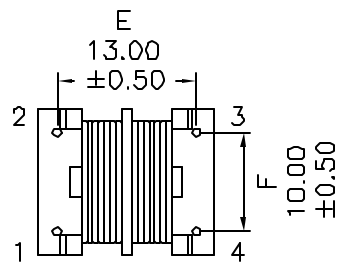
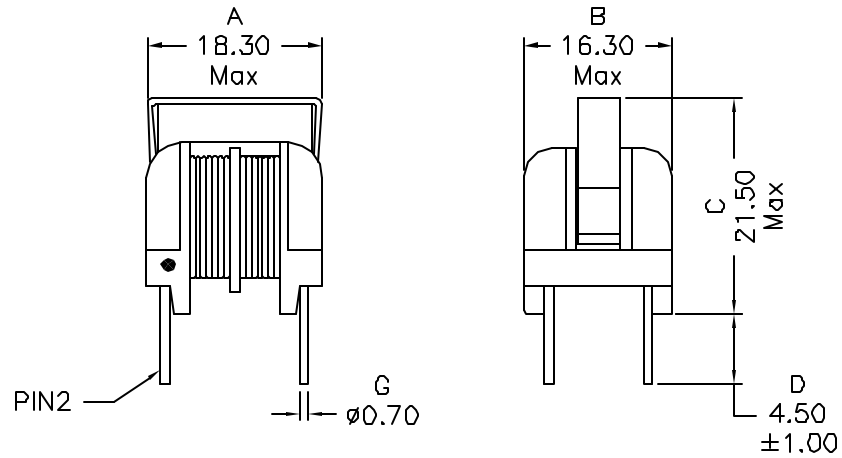
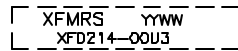


### 1. Mechanical Dimensions:



(BOTTOM VIEW)

MARKING: (ON TOP OF CLIP)

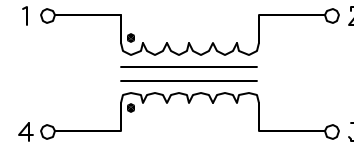


**Notes:**

1. Solderability: Leads shall meet MIL-STD-2026, Method 208H for solderability.
2. Flammability: UL94V-0
3. ASTM oxygen index > 28%
4. Insulation System: Class F 155°C. UL file E151556
5. All listed parameters are to be within tolerance from -15°C to +120°C unless otherwise noted
6. Storage Temperature Range: -55°C to +125°C
7. Aqueous wash compatible
8. Electrical and mechanical specifications 100% tested
9. RoHS Compliant Component

DOC. REV: A/7

### 2. Schematic:



### 3. Electrical Specifications:

OCL: 2.1mH Min @100KHz 0.1V (-15°C to 120°C)

1.3mH Min @100KHz 0.1V (-25°C to -15°C)

Q: 30 Min @10KHz 50mV

LL: Pins 1-2 65uH Max @100KHz 0.1V (Short Pins 3+4)

Insulation Resistance: 10 MOhms Min

Rated Current: 1.50Arms

DCR: 0.215 Ohms Max, Each wdg

HI-POT: 2000VAC 1 second (PIN1-2 TO PIN3-4)

<b>XFMRS Inc</b> www.XFMRS.com	Title: LINE FILTER		
UNLESS OTHERWISE SPECIFIED TOLERANCES: .xx $\pm 0.25$ Dimensions in MM	P/N: XFD214-00U3	REV. A	
	DWN. Feng	Jul-05-12	
	CHK. YK Liao	Jul-05-12	
SHEET 1 OF 1	APP. Joe Huff	Jul-05-12	