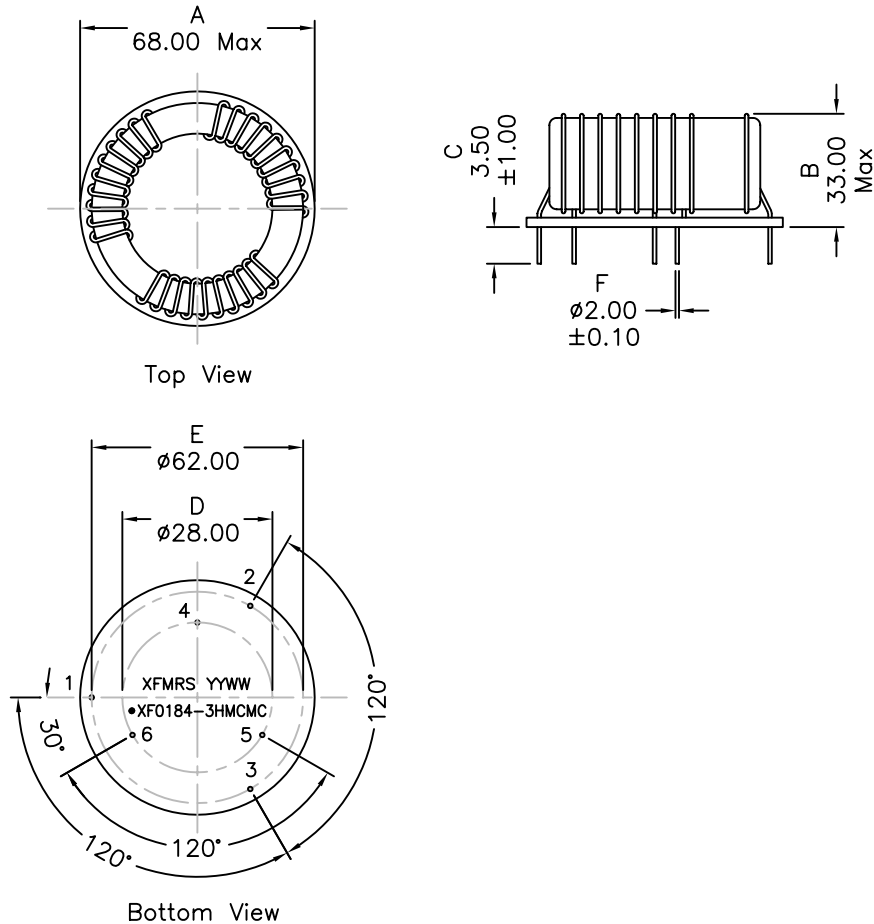


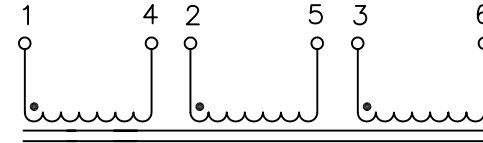
1. Mechanical Dimensions:



Notes:

- Solderability: Leads shall meet MIL-STD-202G, Method 208H for solderability.
- Flammability: UL94V-0
- ASTM oxygen index: > 28%
- Insulation System: Class F 155°C. UL file E151556
- Operating Temperature Range: All listed parameters are to be within tolerance from -40°C to +85°C
- Storage Temperature Range: -25°C to +40°C
- Aqueous wash compatible
- Electrical and mechanical specifications 100% tested
- RoHS Compliant Component
- The core must be mummy wrapped with Kapton tape prior to winding

2. Schematic:



3. Electrical Specifications:

OCL: 1.8mH±30% @10KHz 0.1V, Each wdg

Q: Pins 1-4 tbd Min @10KHz 0.1V

LL: Pins 1-4 17uH Typ @100KHz 0.1V, Short all else

DCR: 4.7 mOhms Typ, Each wdg

Rated Current: 18Arms

Rated Voltage: 440/250V AC (50/60Hz)

Turns Ratio: (1-4):(2-5):(3-6) = 1:1:1±2%

Hipot: 2000Vac/2800Vdc, 2s, wdg to wdg

PRELIMINARY

DOC. REV. A/-

XFMRs Inc www.XFMRs.com	Title: Power line chokes 440/250VAC, 18A, 1.8mH		
	UNLESS OTHERWISE SPECIFIED TOLERANCES: .xx ±0.30 Dimensions in MM	P/N: XF0184-3HMCMC	REV. A
SHEET 1 OF 1	DWN.	Feng	May-02-12
	CHK.	YK Liao	May-02-12
	APP.	BW	May-02-12