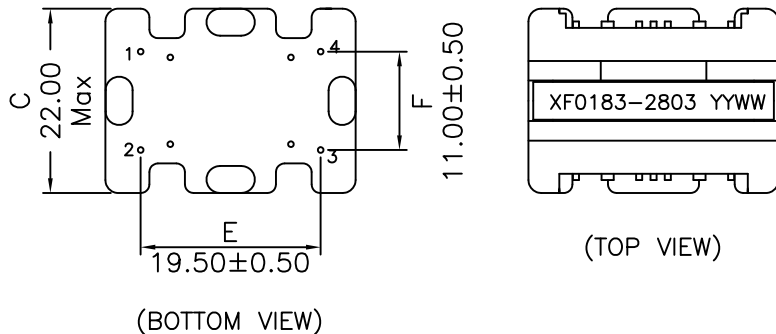
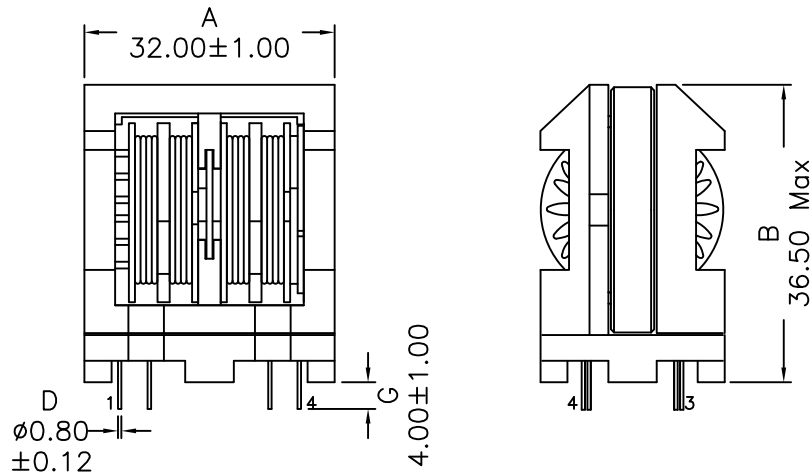


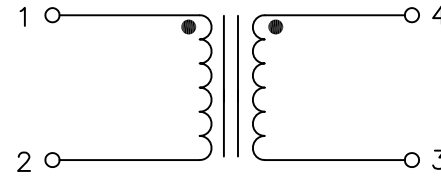
1. Mechanical Dimensions:



Notes:

1. Solderability: Leads shall meet MIL-STD-202G, Method 208H for solderability.
2. Flammability: UL94V-0
3. ASTM oxygen index: > 28%
4. Insulation System: Class F 155°C. UL file E151556
5. All listed parameters are to be within tolerance from -20°C to +115°C unless otherwise noted.
6. Storage Temperature Range: -55°C to +125°C
7. Aqueous wash compatible
8. Electrical and mechanical specifications 100% tested
9. RoHS Compliant Component

2. Schematic:



3. Electrical Specifications: @25°C

- OCL: 18mH Min @10KHz, 0.1V Each Wdg
- Q: Pins 1-2 tbd Min @10KHz 0.1V
- LL: Pins 1-2 tbd Max @100KHz, 0.1V short P4+3
- DCR: 0.317 Ohms±20% @ 20 °C , Each Wdg
- Current Max: 1.3Arms
- Rated Voltage: 250Vac Max
- SRF: Pins 1-2 tbd Min
- Turns Ratio: (1-2):(4-3)=1.00:1.00±2%
- Hipot: 2000Vac, Wdg to Wdg, 1Min
- Rated I: tbd

PRELIMINARY

DOC. REV: A/-

XFMRs Inc www.XFMRS.com	Title: LINE FILTER		
	UNLESS OTHERWISE SPECIFIED TOLERANCES:		P/N: XF0183-2803
.xx ±0.25	DWN.	Mei Chen	REV. A
Dimensions in MM	CHK.	YK Liao	Sep-10-15
SHEET 1 OF 1	APP.	Gideon Lian	Sep-10-15

PROPRIETARY

Document is the property of XFMRs Group & is not allowed to be duplicated without authorization.