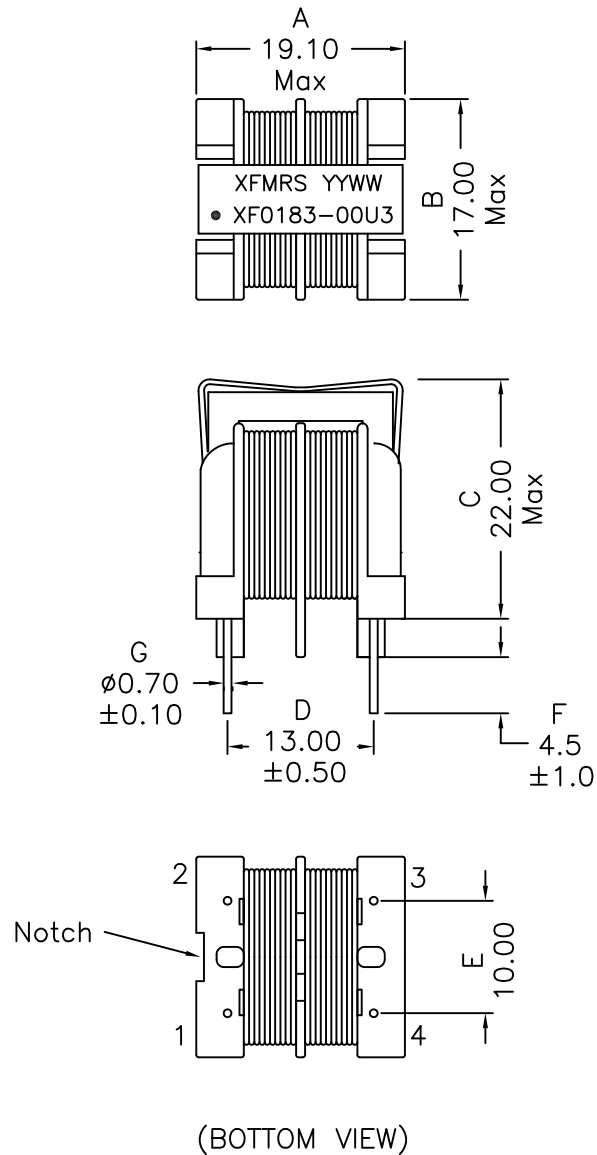
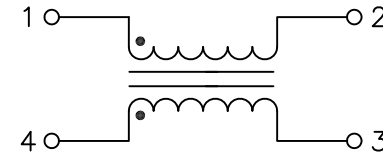


1. Mechanical Dimensions:



2. Schematic:



3. Electrical Specifications:

OCL: 18mH Min @1KHz 1.0V, Each Wdg

Q: Pins 1-2 12 Min @10KHz 100mV

DCR: 1.30 Ohms Max, Each Wdg

RATED CURRENT: 0.600Arms Max

Turns Ratio: (1-2):(4-3)=1:1 \pm 5%

TEMP RISE: 50°C Max

Hipot: 2000Vac Wdg to Wdg

750Vac Wdgs to Core

RATED VOLTAGE: 250Vrms Max

Notes:

- Solderability: Leads shall meet MIL-STD-202G, Method 208H for solderability.
- Flammability: UL94V-0
- ASTM oxygen index: > 28%
- Insulation System: Class F 155°C. UL file E151556
- Operating Temperature Range: All listed parameters are to be within tolerance from -55°C to +105°C
- Storage Temperature Range: -55°C to +125°C
- Aqueous wash compatible
- Electrical and mechanical specifications 100% tested
- RoHS Compliant Component

| | | | |
|---|--|-----------------------------|-----------|
| XFMRs Inc www.XFMRs.com | | Title: COMMON MODE CHOKE | |
| UNLESS OTHERWISE SPECIFIED TOLERANCES: .xx \pm 0.30 Dimensions in MM | | P/N: XF0183-00U3 | REV. A |
| SHEET 1 OF 1 | | DWN. | Apr-04-14 |
| | | CHK. | YK Liao |
| | | APP. | BW |
| | | | Apr-04-14 |

DOC REV: A/1