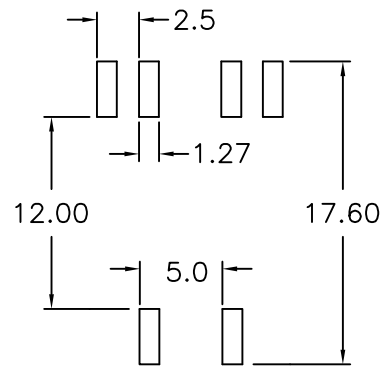
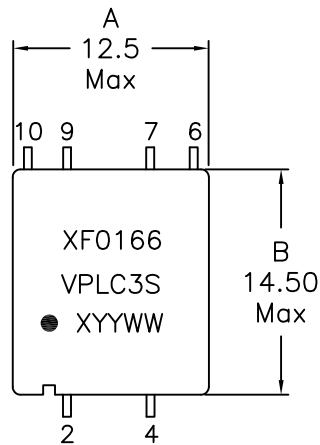
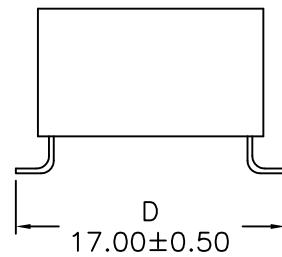
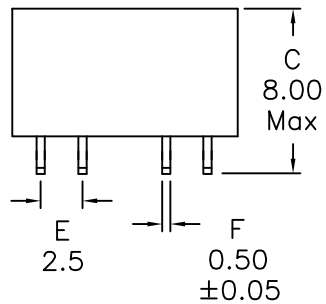


1. Mechanical Dimensions:



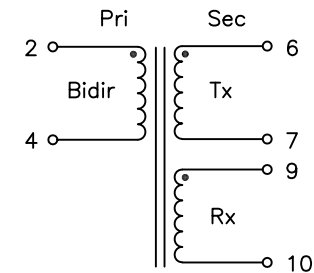
Top view

(SUGGESTED MOUNTING PAD)

Notes:

1. Solderability: Leads shall meet MIL-STD-202G, Method 208H for solderability.
2. Flammability: UL94V-0
3. ASTM oxygen index: > 28%
4. Insulation System: Class F 155°C. UL file E151556
5. All listed parameters are to be within tolerance from -40C to +85C unless otherwise noted.
6. Storage Temperature Range: -55°C to +125°C
7. Aqueous wash compatible
8. SMD Lead Coplanarity: ±0.004"(0.102mm)
9. Electrical and mechanical specifications 100% tested
10. RoHS Compliant Component
11. Pins 1,3,5&8 are removed.
12. Recommended IR Reflow peak temp of 235C Max.

2. Schematic:



3. Electrical Specifications: @25°C

Inductance: Pins 2-4 16.0uH Min @1MHz, 0.1V

Pins 2-4 10.0uH Min @1MHz, 0.1V at -40°C and +85°C

Q: Pins 2-4 8 Min @10KHz 50mV

LL: Pins 2-4 200nH Max @1MHz, 0.1V (short all else)

DCR: Pins 2-4 0.050 Ohms Max

Pins 6-7 0.050 Ohms Max

Pins 9-10 0.050 Ohms Max

Turns Ratio (±2%): (2-4):(6-7) = 1.000:1.000

(2-4):(9-10) = 1.000:1.000

Isolation: 7200Vdc Pri to Sec, 1mA Max (Production Test)

8000Vdc for 60 sec (Type Test)

1800Vdc for 1Sec, Sec to Sec

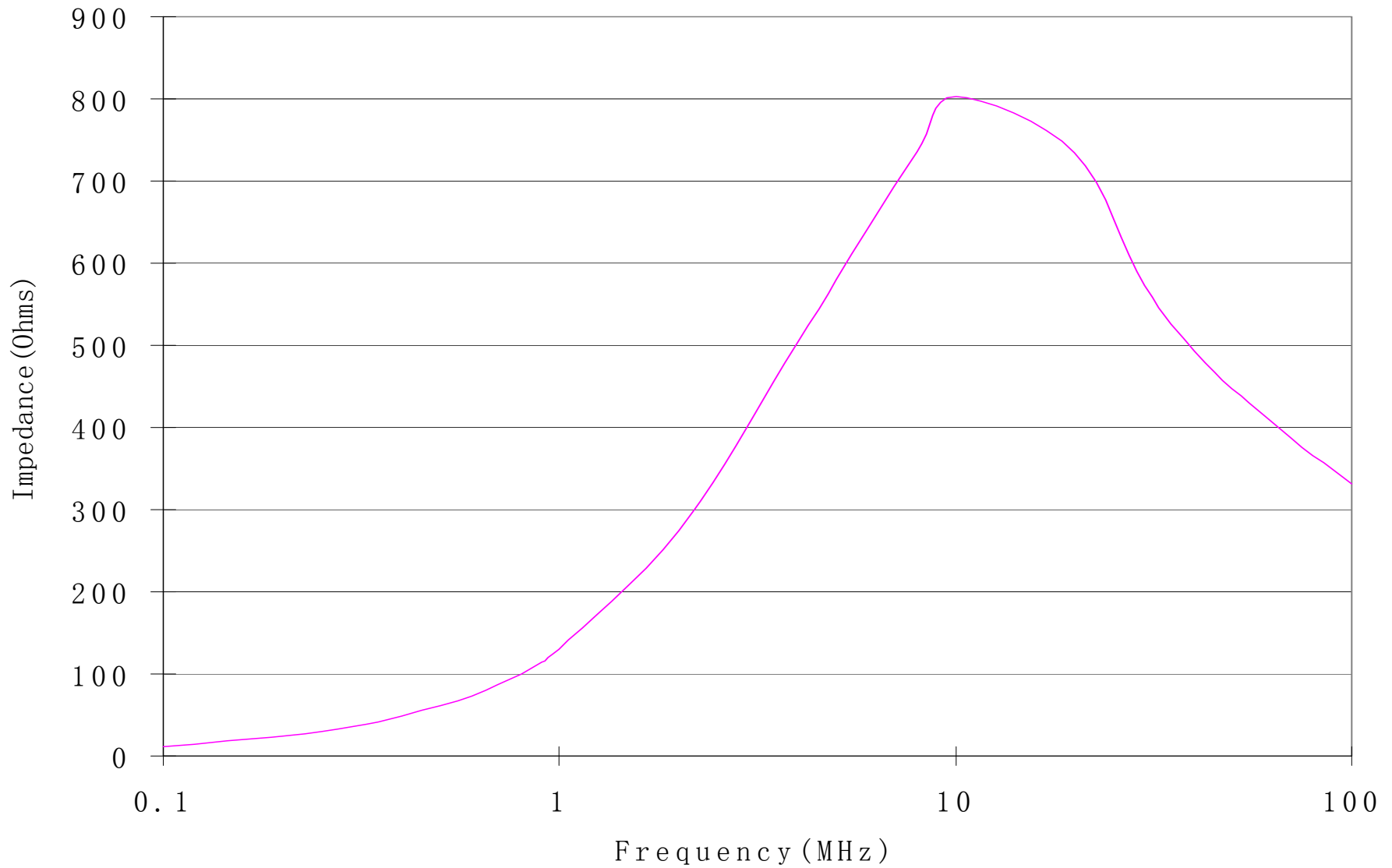
Freq Range: 1-30MHz

XFMRs Inc. www.XFMRs.com	Title: PLC Coupling Xfmr		
	UNLESS OTHERWISE SPECIFIED TOLERANCES: .xx ±0.25 Dimensions in mm	P/N: XF0166-VPLC3S	REV. B
SHEET 1 OF 2	DWN.	Xiang	Oct-05-16
	CHK.	YK Liao	Oct-05-16
	APP.	DDC	Oct-05-16

DOC. REV: B/3

PROPRIETARY

Document is the property of XFMRs Group & is not allowed to be duplicated without authorization.



DOC. REV: B/3

XFMRs Inc. www.XFMRS.com	Title: PLC Coupling Xfmr		
	UNLESS OTHERWISE SPECIFIED TOLERANCES: .xx ±0.25 Dimensions in mm		P/N: XF0166-VPLC3S REV. B
SHEET 2 OF 2	DWN.	Xiang	Oct-05-16
	CHK.	YK Liao	Oct-05-16
	APP.	DDC	Oct-05-16

PROPRIETARY

Document is the property of XFMRs Group & is not allowed to be duplicated without authorization.