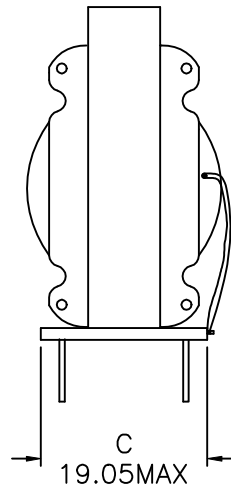
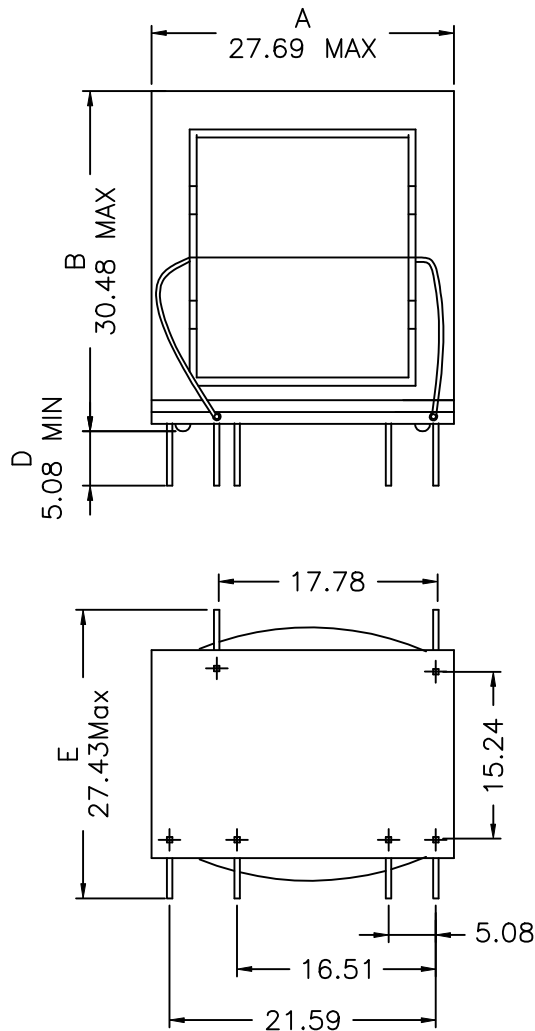
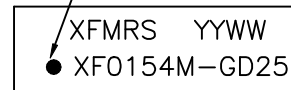


1. Dimensions:



white dot indicates Pin1



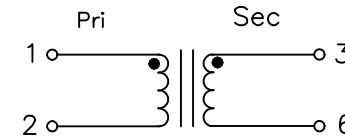
TOP VIEW
MARKING SKETCH

Notes:

1. Solderability: Leads shall meet MIL-STD-202, Method 208D for solderability.
2. Flammability: UL94V-0
3. ASTM oxygen index: > 28%
4. Insulation System: Class F 155°C. UL file E151556
5. Operating Temperature Range: All listed parameters are to be within tolerance from -40°C to +85°C
6. Storage Temperature Range: -55°C to +125°C
7. Aqueous wash compatible

DOC.REV A/1

2. Schematic:



3. Electrical Specifications:

OCL: P1-2 1500uH Min @1KHz,1V

Turns Ratio: 1:1±5%

LL: P1-2 4uH Max @1KHz 1V all else Shorted

Cw/w: P1-3 50pF Max @1KHz, 1V

DC Res.: P1-2 0.400 Ohms Max

DC Res.: P3-6 0.750 Ohms Max

HIPOT: 3000 Vrms Pri to Sec

XFMRS Inc	Title: TRANSFORMER		
	UNLESS OTHERWISE SPECIFIED	P/N: XFO154M-GD25	REV. A
TOLERANCES: .xx ±0.25	DWN.	罗振江	Apr-28-03
Dimensions in MM	CHK.	廖玉坤	Apr-28-03
SHT 1 OF 1	App.	BW	Apr-28-03