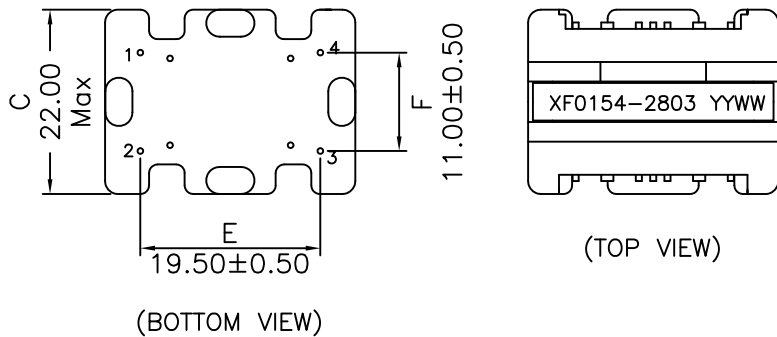
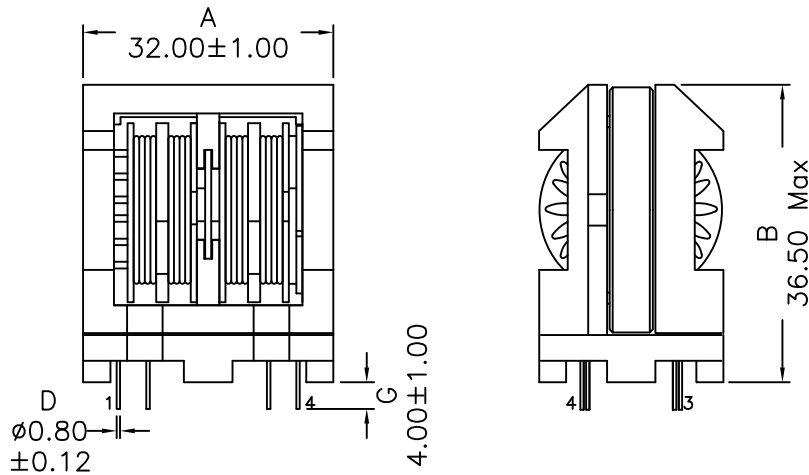


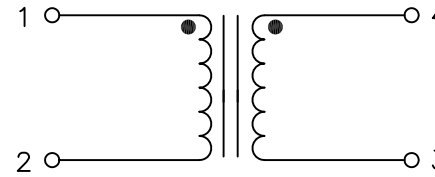
1. Mechanical Dimensions:



Notes:

- Solderability: Leads shall meet MIL-STD-202G, Method 208H for solderability.
- Flammability: UL94V-0
- ASTM oxygen index: > 28%
- Insulation System: Class F 155°C. UL file E151556
- All listed parameters are to be within tolerance from -20°C to +115°C unless otherwise noted.
- Storage Temperature Range: -55°C to +125°C
- Aqueous wash compatible
- Electrical and mechanical specifications 100% tested
- RoHS Compliant Component

2. Schematic:



3. Electrical Specifications: @25°C

- OCL: 1.5mH Min @10KHz, 0.1V Each Wdg
- Q: Pins 1-2 tbd Min @10KHz 0.1V
- LL: Pins 1-2 tbd Max @100KHz, 0.1V short P4+3
- DCR: tbd Ohms Max, Each Wdg
- Current Max: 4.0Arms
- Rated Voltage: 250Vac Max
- SRF: Pins 1-2 tbd Min
- Turns Ratio: (1-2):(4-3)=1.00:1.00 ± 2%
- Hipot: 2000Vac, Wdg to Wdg, 1Min
- Rated I: tbd

PRELIMINARY

DOC. REV: A/-

XFMRs Inc www.XFMRs.com	Title: LINE FILTER		
	UNLESS OTHERWISE SPECIFIED	P/N: XF0154-2803	REV. A
TOLERANCES:	DWN.	Mei Chen	Aug-19-15
.xx ±0.25	CHK.	YK Liao	Aug-19-15
Dimensions in MM	APP.	BSJ	Aug-19-15
SHEET 1 OF 1			