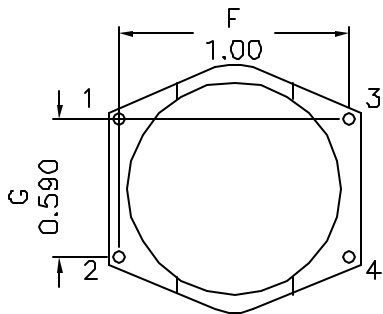
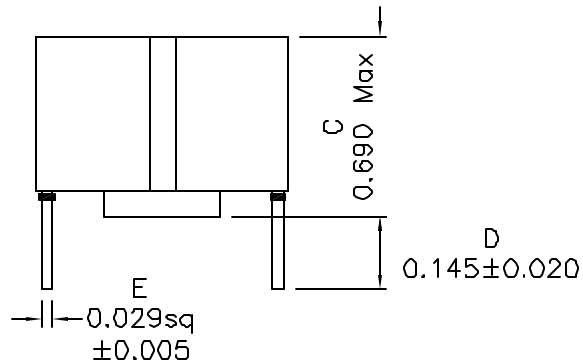
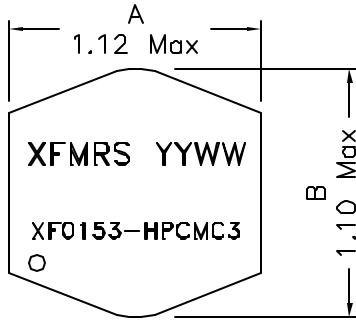
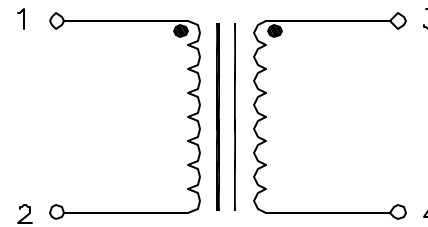


### 1. Mechanical Dimensions:



(BOTTOM VIEW)

### 2. Schematic:



### 3. Electrical Specifications:@25°C

OCL: 15mH±30% @10KHz 0.05V Each Wdg.

DCR: 290 mOhms Max, Each Wdg.

LL: Pins 1-2 220uH Max @100KHz, 0.1V (Short Pins 3-4)

Rated Current: 2A

Isolation Voltage: 1500Vac, Wdg. to Wdg., 2 Sec

Rated Voltage: 250Vac

#### Notes:

1. Solderability: Leads shall meet MIL-STD-202C, Method 208H for solderability.
2. Flammability: UL94V-0
3. ASTM oxygen index: > 28%
4. Insulation System: Class F 155°C. UL file E151556
5. Operating Temperature Range: All listed parameters are to be within tolerance from -40°C to +85°C
6. Storage Temperature Range: -55°C to +125°C
7. Aqueous wash compatible
8. Electrical and mechanical specifications 100% tested
9. RoHS Compliant Component

DOC. REV A/4

**PROPRIETARY**

Document is the property of XFMRS Group & is not allowed to be duplicated without authorization.

<b>XFMRS Inc.</b> www.XFMRS.com		Title: Common Mode Choke	
UNLESS OTHERWISE SPECIFIED TOLERANCES: .xxx ±0.020		P/N: XF0153-HPCMC3	REV. A
Dimensions in INCH	DWN.	李小锋	Aug-08-06
SHEET 1 OF 1	CHK.	廖玉坤	Aug-08-06
	APP.	MS	Aug-08-06