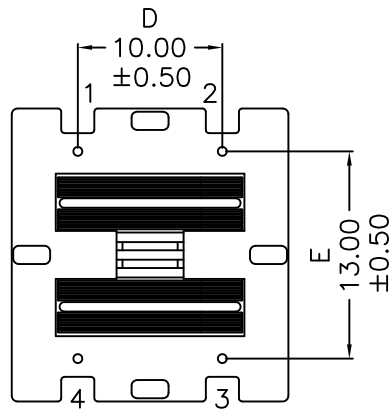
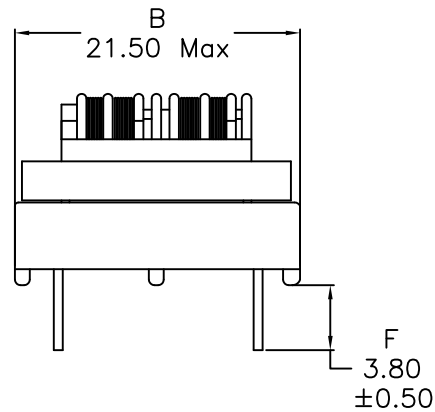
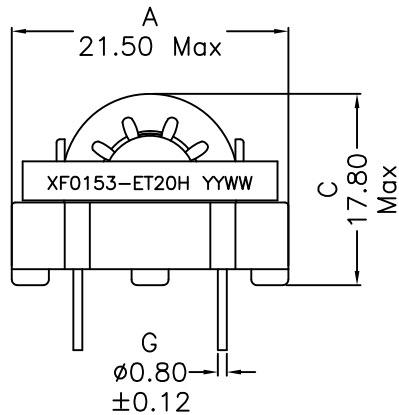


1. Mechanical Dimensions:

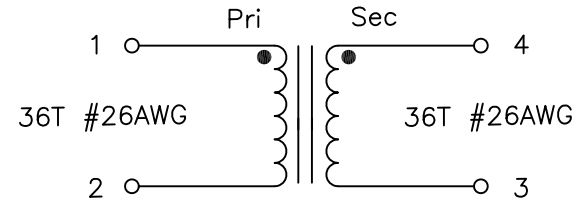


(BOTTOM VIEW)

Notes:

1. Solderability: Leads shall meet MIL-STD-202G, Method 208H for solderability.
2. Flammability: UL94V-0
3. ASTM oxygen index: > 28%
4. Insulation System: Class F 155°C. UL file E151556
5. All listed parameters are to be within tolerance from -40°C to +85°C unless otherwise noted.
6. Storage Temperature Range: -55°C to +125°C
7. Aqueous wash compatible
8. Electrical and mechanical specifications 100% tested
9. RoHS Compliant Component

2. Schematic:



3. Electrical Specifications: @25°C

OCL: 15mH-30/+50% @10KHz 0.1V, Each (25°C to 85°C)

8mH Min @10KHz 0.1V, Each Wdg (-40°C to 0°C)

Q: Pins 1-2 5.0 Min @10KHz 0.1V

LL: Pins 1-2 110.0uH Max @100KHz 0.1V Short Sec

DCR: 0.075 Ohms Max Each Wdg

Rated Current: 1.0A Max

Rated Voltage: 250Vac

Turns Ratio: (1-2):(4-3)=1.000:1.000 $\pm 2\%$

Isolation test Voltage: 1500Vac, Pri to Sec

SRF: Pins 1-2 250KHz Min

DOC. REV: A/1

XFMRs Inc www.XFMRs.com	Title: Common Mode Choke		
	UNLESS OTHERWISE SPECIFIED TOLERANCES: .xx ± 0.25 Dimensions in MM	P/N: XF0153-ET20H	REV. A
	DWN.	Yuan	Oct-09-15
	CHK.	YK Liao	Oct-09-15
SHEET 1 OF 2	APP.	Joe Huff	Oct-09-15