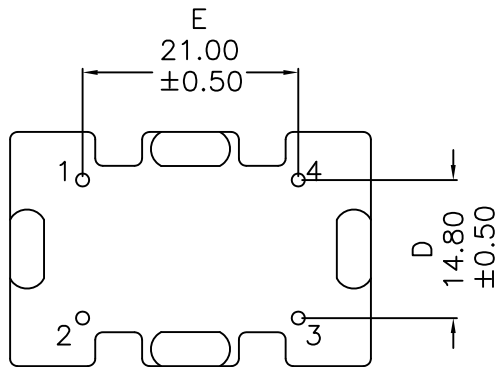
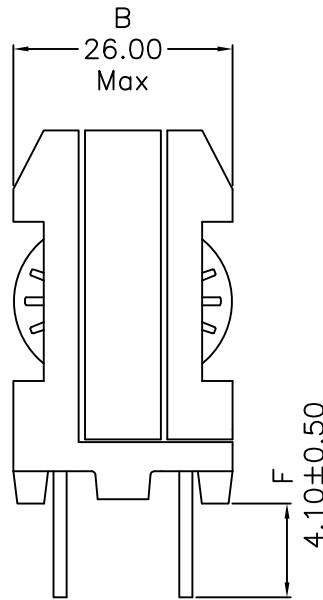
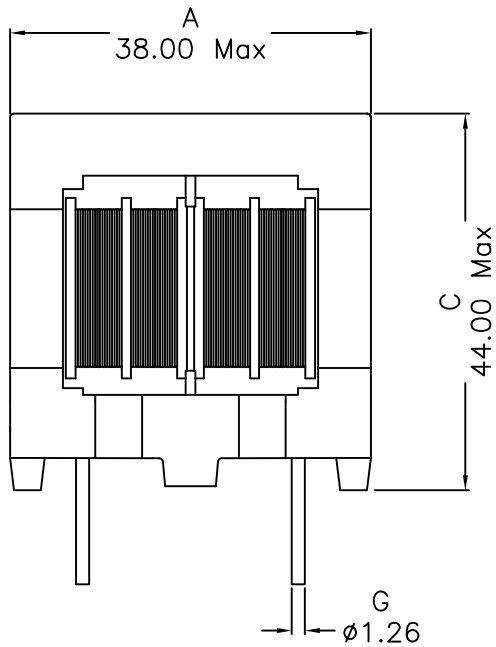
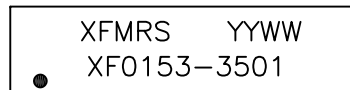


### 1. Mechanical Dimensions:

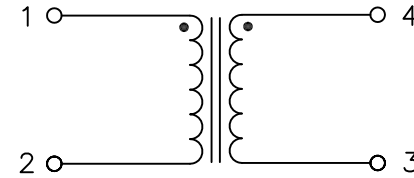


BOTTOM VIEW

Marking: (on TOP)



### 2. Schematic:



### 3. Electrical Specifications: @25°C

- OCL: 15mH Min @10KHz, 0.1V Each Wdg  
4.0mH Min @10KHz, 0.1V Each wdg(-40°C to +25°C)
- Q: 5 Min @10KHz, 0.1V Each Wdg
- DCR: 0.161 Ohms $\pm 20\%$  Each wdg
- IDC: 2.0Arms Max
- Turns Ratio: (1-2):(4-3)=1.0:1.0 $\pm 2\%$
- HIPOT: 2500Vac Wdg to Wdg
- SRF: Pins 1-2 30KHz Min

Notes:

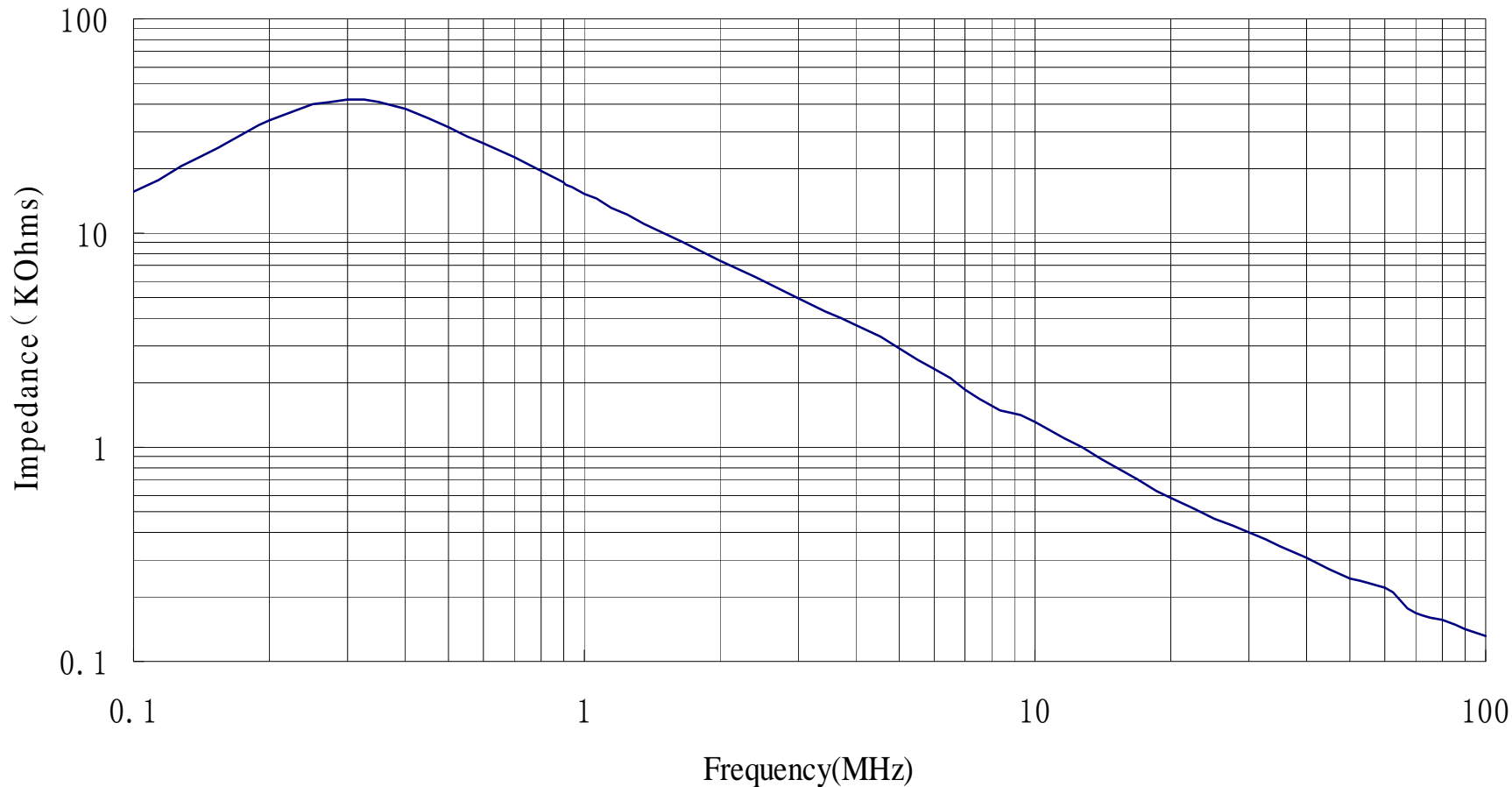
1. Solderability: Leads shall meet MIL-STD-202, Method 208D for solderability.
2. Flammability: UL94V-0
3. ASTM oxygen index: > 28%
4. Insulation System: Class F 155°C. UL file E151556
5. Operating Temperature Range: All listed parameters are to be within tolerance from -40°C to +85°C
6. Storage Temperature Range: -55°C to +125°C
7. Aqueous wash compatible
8. SMD Lead Coplanarity:  $\pm 0.004"$ (0.102mm)
9. Moisture Sensitivity: Level 2

<b>XFMRS Inc</b> UNLESS OTHERWISE SPECIFIED TOLERANCES: .xx $\pm 0.25$ Dimensions in mm SHEET 1 OF 2	Title: COMMON MODE CHOKE		
	P/N: XFO153-3501	REV. A	
	DWN.	Xiang	Sep-01-16
	CHK.	YK Liao	Sep-01-16
	APP.	BSJ	Sep-01-16

DOC. REV. A/2

**PROPRIETARY**

Document is the property of XFMRS Group & is not allowed to be duplicated without authorization.



DOC. REV. A/2

<b>XFMRs Inc</b> UNLESS OTHERWISE SPECIFIED TOLERANCES: .xx ±0.25 Dimensions in mm	Title: <b>COMMON MODE CHOKE</b>		
	P/N: XF0153-3501		REV. A
	DWN.	Xiang	Sep-01-16
	CHK.	YK Liao	Sep-01-16
SHEET 2 OF 2	APP.	BSJ	Sep-01-16

**PROPRIETARY**

Document is the property of XFMRs Group & is not allowed to be duplicated without authorization.