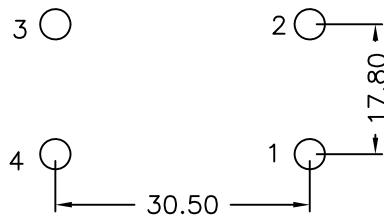
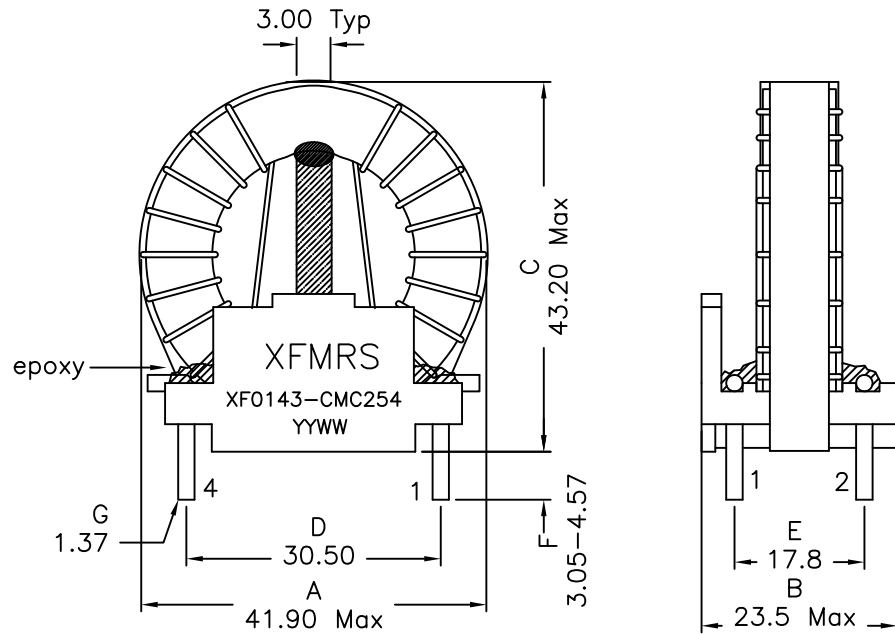
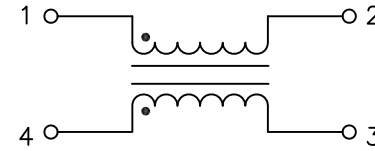


1. Mechanical Dimensions:



(SUGGESTED FOOTPRINT)

2. Schematic:



3. Electrical Specifications: @25°C

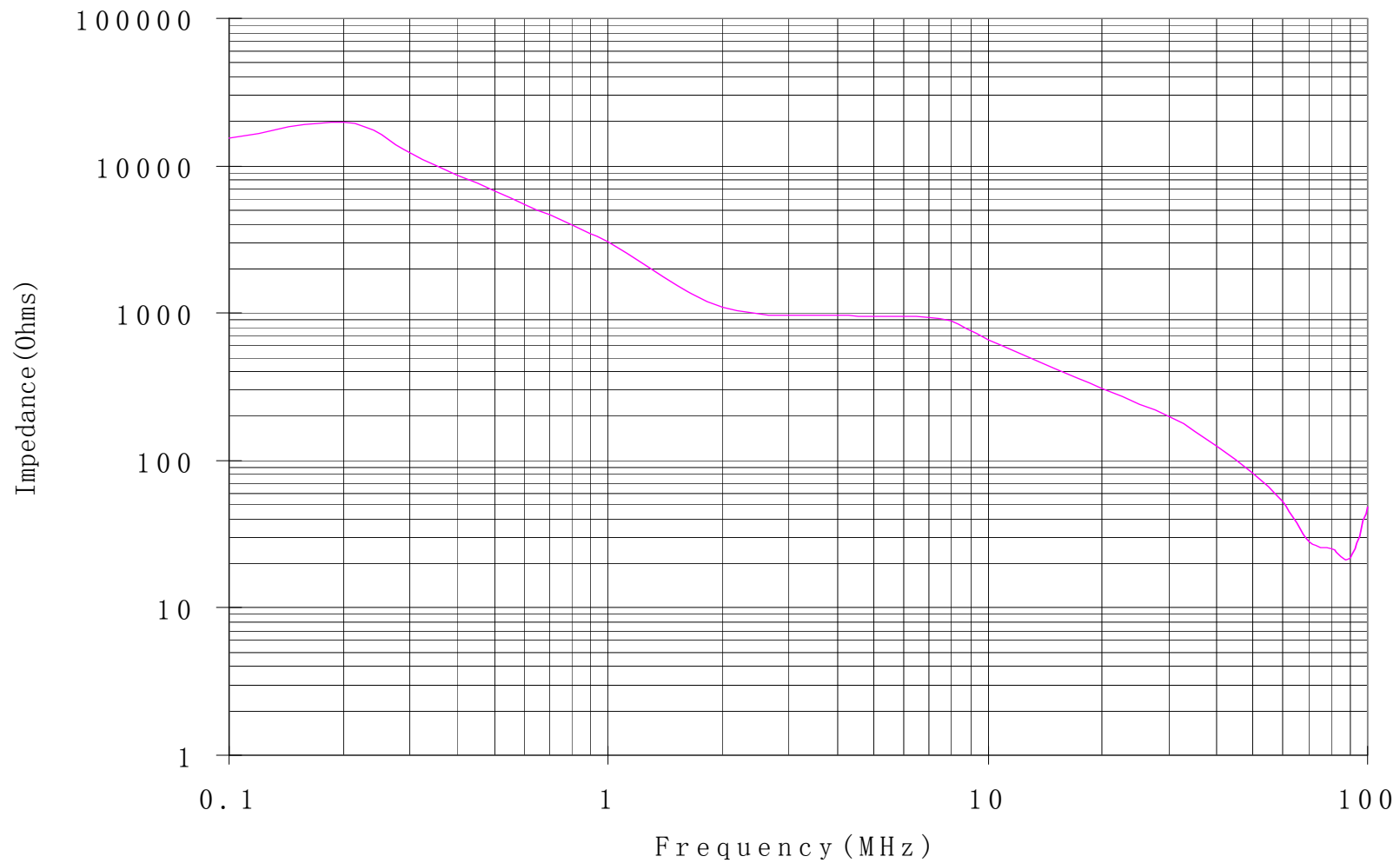
- OCL: EACH WDG, 14.0mH Min @15.750KHz, 0.1V
- DCR: EACH WDG, 0.120 OHMS Max
- Q: 3 Min @10KHz, 0.1V Each Wdg.
- LEAKAGE L: 180uH MAX 100KHz, 0.1V
- ISOLATION: 1250VAC, 1 min
- Current Rating: 4Arms Max

Notes:

1. Solderability: Leads shall meet MIL-STD-202G, Method 208H for solderability.
2. Flammability: UL94V-0
3. ASTM oxygen index: > 28%
4. Insulation System: Class F 155°C. UL file E151556
5. All listed parameters are to be within tolerance from -40°C to +85°C unless otherwise noted.
6. Storage Temperature Range: -55°C to +125°C
7. Aqueous wash compatible
8. Electrical and mechanical specifications 100% tested
9. RoHS Compliant Component
10. Secure coil with epoxy

DOC. REV: A/3

XFMRS Inc www.XFMRS.com		Title: Common Mode Choke	
UNLESS OTHERWISE SPECIFIED	P/N: XF0143-CMC254	REV. A	
TOLERANCES: .xx ±0.25	DWN.	Yuan	Sep-18-13
Dimensions in MM	CHK.	YK Liao	Sep-18-13
SHEET 1 OF 2	APP.	Joe Huff	Sep-18-13



DOC. REV: A/3

XFMRs Inc www.XFMRS.com	Title: Common Mode Choke		
	UNLESS OTHERWISE SPECIFIED TOLERANCES: .xx ±0.25 Dimensions in MM	P/N: XF0143-CMC254	REV. A
	DWN.	Yuan	Sep-18-13
	CHK.	YK Liao	Sep-18-13
SHEET 2 OF 2	APP.	Joe Huff	Sep-18-13

PROPRIETARY Document is the property of XFMRs Group & is not allowed to be duplicated without authorization.