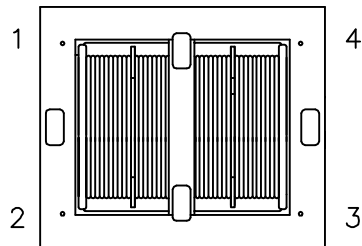
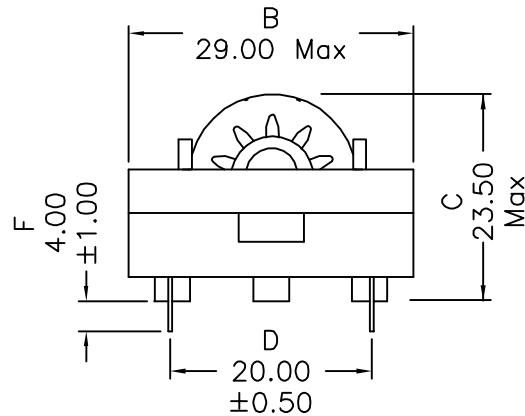
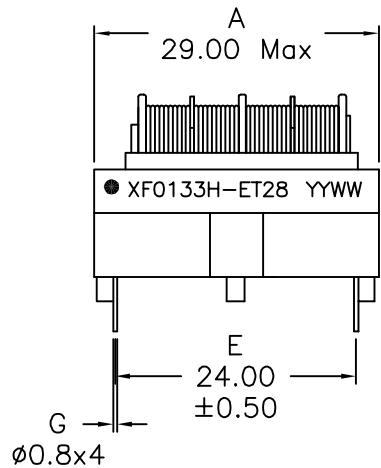


## 1. Mechanical Dimensions:



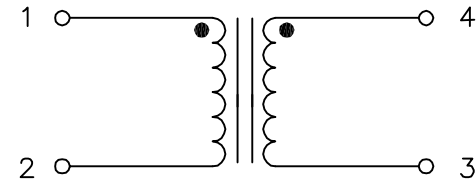
(BOTTOM VIEW)

### Notes:

1. Solderability: Leads shall meet MIL-STD-202G, Method 208H for solderability.
2. Flammability: UL94V-0
3. ASTM oxygen index: > 28%
4. Insulation System: Class F 155°C. UL file E151556
5. Operating Temperature Range: All listed parameters are to be within tolerance from -40°C to +85°C
6. Storage Temperature Range: -55°C to +125°C
7. Aqueous wash compatible
8. Electrical and mechanical specifications 100% tested
9. RoHS Compliant Component

DOC REV: A/1

## 2. Schematic:



## 3. Electrical Specifications:

- OCL: 13mH Min @1KHz 0.1V, Each Wdg
- Q: 10 Min @1KHz 0.1V, Each Wdg
- DCR: 0.220 Ohms Max, Each Wdg
- Rated Current: 2.0Aac
- Rated Voltage: 250Vac
- Hipot: 2500Vac, Wdg to Wdg, Wdgs to Core

**PROPRIETARY** Document is the property of XFMRs Group & is not allowed to be duplicated without authorization.

<b>XFMRs Inc</b> <a href="http://www.XFMRs.com">www.XFMRs.com</a>	Title: LINE FILTER		
	UNLESS OTHERWISE SPECIFIED TOLERANCES: .xx ±0.30 Dimensions in mm	P/N: XF0133H-ET28	REV. A
SHEET 1 OF 1	DWN.	Yaun	Sep-17-17
	CHK.	YK Liao	Sep-17-17
	APP.	Joe Huff	Sep-17-17