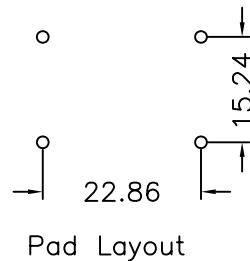
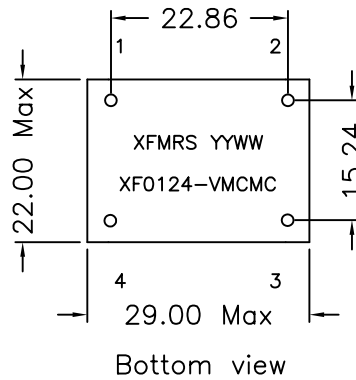
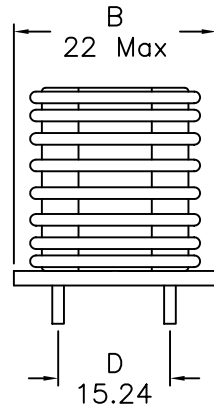
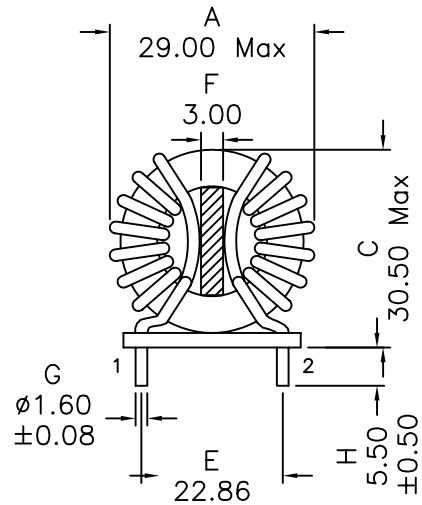
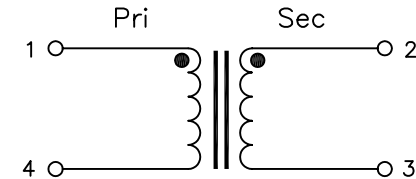


## 1. Mechanical Dimensions:



## 2. Schematic:



## 3. Electrical Specifications:

OCL: Pins 1-4 1.0mH Min @10KHz 0.1V

Q: Pins 1-4 5 Min @10KHz 0.1V

DCR: 0.005 Ohms Max, Each Wdg

Turns Ratio: (1-4):(2-3) = 1:1±2%

Hipot: 2000Vac Pri to Sec

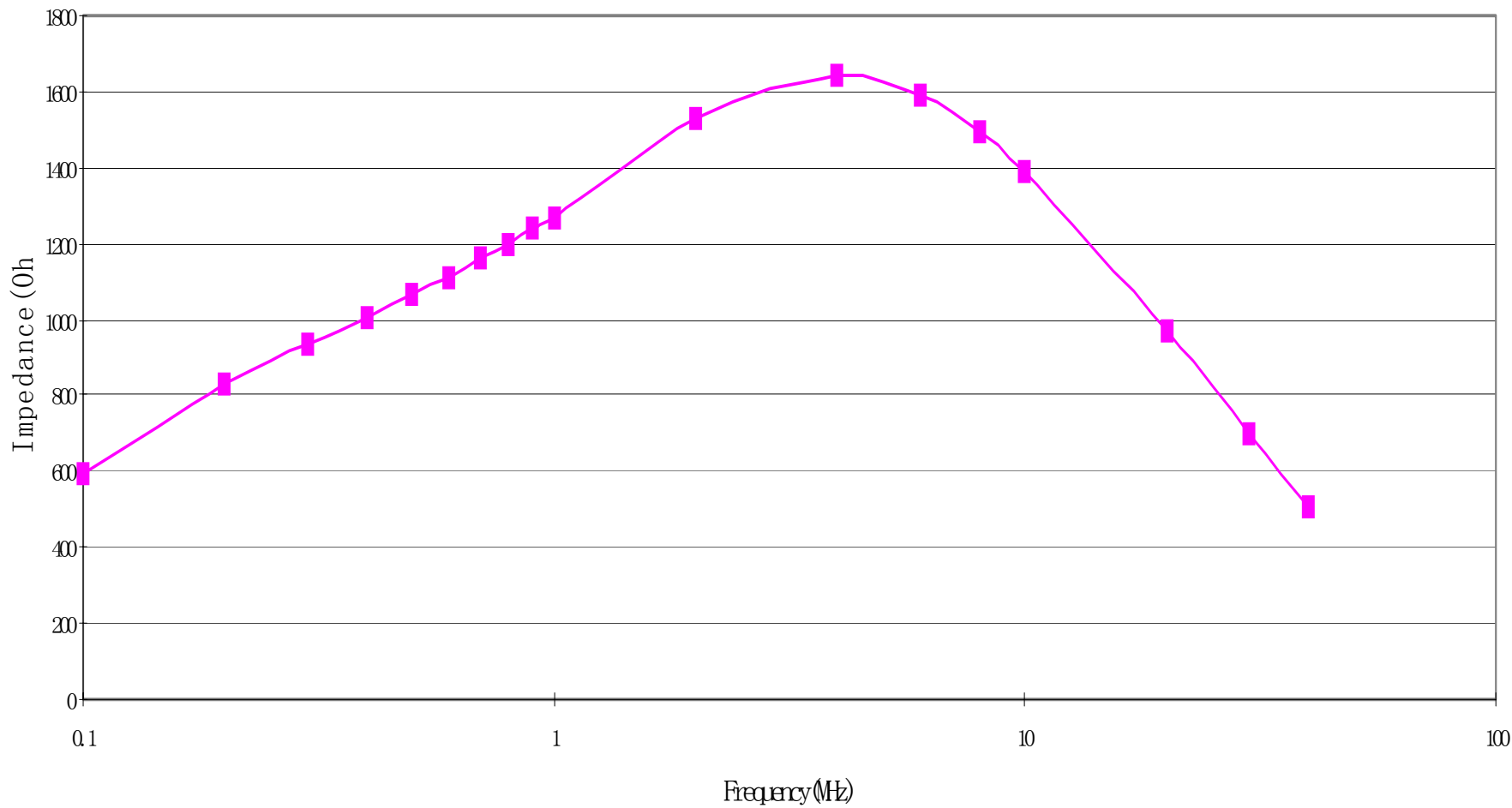
Rated Current: 20A

### Notes:

1. Solderability: Leads shall meet MIL-STD-202G, Method 208H for solderability.
2. Flammability: UL94V-0
3. ASTM oxygen index: > 28%
4. Insulation System: Class H 180°C. UL file E151556
5. Operating Temperature Range: All listed parameters are to be within tolerance from -40°C to +125°C (Ambient + Temp Rise)
6. Storage Temperature Range: -55°C to +125°C
7. Aqueous wash compatible
8. Electrical and mechanical specifications 100% tested
9. RoHS Compliant Component
10. Leads tinned with 99.5%Sn / 0.5%Cu

<b>XFMRs Inc.</b> <a href="http://www.XFMRS.com">www.XFMRS.com</a>	Title: Common Mode Choke		
	UNLESS OTHERWISE SPECIFIED	P/N: XF0124-VMCMC	REV. B
TOLERANCES: .xx ±0.25	DWN.	Feng	May-24-12
Dimensions in MM	CHK.	YK Liao	May-24-12
SHEET 1 OF 2	APP.	BW	May-24-12

DOC. REV: B/3



DOC. REV: B/3

<b>XFMRs Inc.</b> <a href="http://www.XFMRS.com">www.XFMRS.com</a>	Title: Common Mode Choke		
	UNLESS OTHERWISE SPECIFIED		P/N: XF0124-VMCMC
TOLERANCES: .xx ±0.25	DWN.	Feng	May-24-12
Dimensions in MM	CHK.	YK Liao	May-24-12
SHEET 2 OF 2	APP.	BW	May-24-12

**PROPRIETARY**

Document is the property of XFMRs Group & is not allowed to be duplicated without authorization.