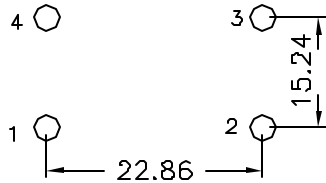
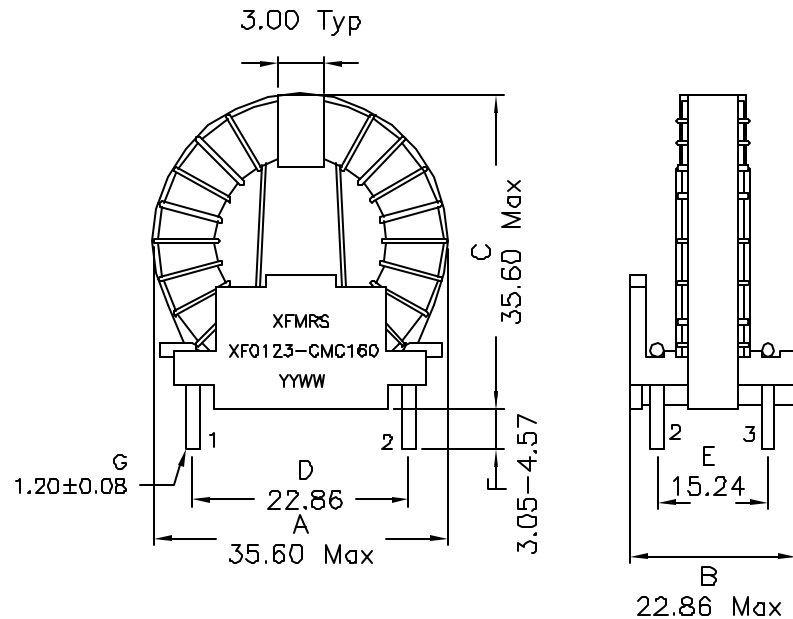
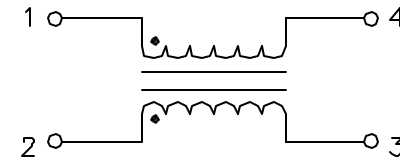


1. Mechanical Dimensions:



SUGGESTED FOOTPRINT

2. Schematic:



3. Electrical Specifications:

OCL: 12mH Min @1KHz 0.1V, Each Wdg
 DCR: 0.110 Ohms Max, Each Wdg
 Current Rating: 4Adc
 Isolation: 1500Vrms

Notes:

1. Solderability: Leads shall meet MIL-STD-202G, Method 208H for solderability.
2. Flammability: UL94V-0
3. ASTM oxygen Index: > 28%
4. Insulation System: Class F 155°C. UL file E151556
5. Operating Temperature Range: All listed parameters are to be within tolerance from -40°C to +85°C
6. Storage Temperature Range: -55°C to +125°C
7. Aqueous wash compatible
8. Electrical and mechanical specifications 100% tested
9. RoHS Compliant Component

DOC REV: A/3

XFMRS Inc www.XFMRS.com	Title: Common Made Choke		
UNLESS OTHERWISE SPECIFIED TOLERANCES: .xx ±0.20 Dimensions in mm	P/N: XF0123-CMC160	REV. A	
	DWN.	Juan mao	Sep-27-06
	CHK.	YK Liao	Sep-27-06
SHEET 1 OF 1	APP.	BW	Sep-27-06