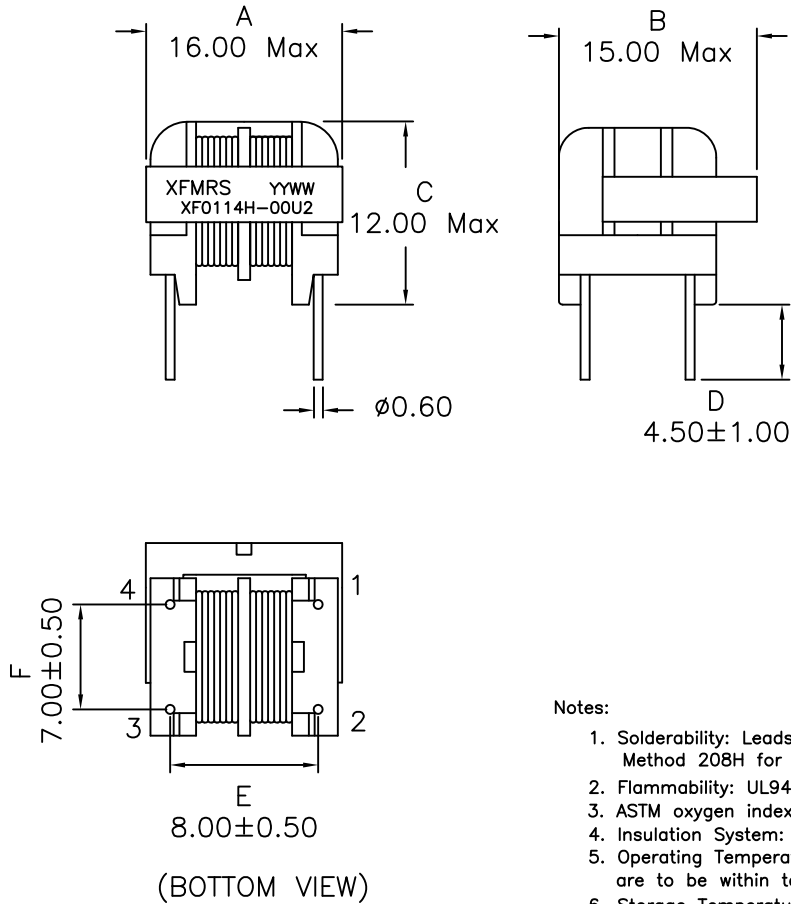


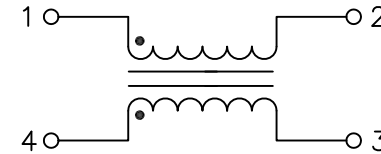
1. Dimensions:



Notes:

1. Solderability: Leads shall meet MIL-STD-202G, Method 208H for solderability.
2. Flammability: UL94V-0
3. ASTM oxygen index: > 28%
4. Insulation System: Class F 155°C. UL file E151556
5. Operating Temperature Range: All listed parameters are to be within tolerance from -40°C to +85°C
6. Storage Temperature Range: -55°C to +125°C
7. Aqueous wash compatible
8. Electrical and mechanical specifications 100% tested
9. RoHS Compliant Component

2. Schematic:



3. Electrical Specifications:

TURN RATIO: (PIN1-2) : (PIN4-3) = 1:1±1%

INDUCTANCE: 1.1mH Min. @1KHz 1V

PIN1-2, PIN4-3 DC Resistance: 0.84 ohms Max.

Rated Current: 0.50 A

HIPOT: 2400VAC (2 seconds, between lines)

Rated Voltage: 125VAC

DOC. REV: A/-

XFMRs Inc	Title: COMMON MODE CHOKE		
	UNLESS OTHERWISE SPECIFIED	P/N: XF0114H-00U2	REV. A
TOLERANCES: .xx ±0.30	DWN.	李小锋	Jan-11-16
Dimensions in MM	CHK.	廖玉坤	Jan-11-16
SHEET 1 OF 1	APP.	GL	Jan-11-16

PROPRIETARY

Document is the property of XFMRs Group & is not allowed to be duplicated without authorization.