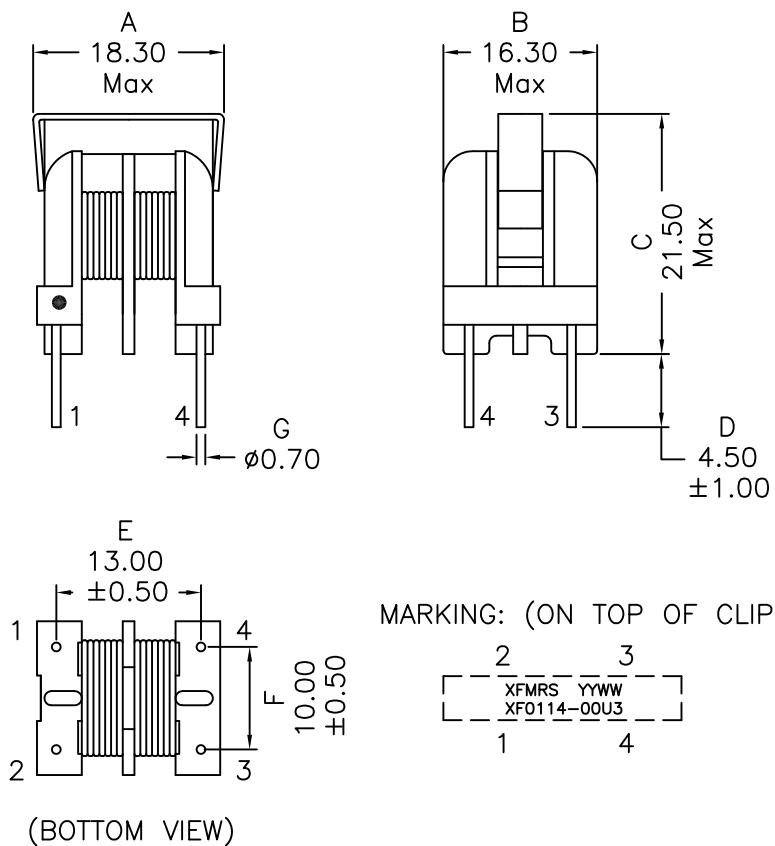
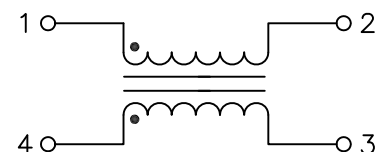


1. Mechanical Dimensions:



2. Schematic:



3. Electrical Specifications: @25°C

OCL: 1.1mH Min @100KHz, 0.1V

Q: 9 Min @10KHz, 50mV

LL: Pins 1-2 35uH Max @100KHz 0.1V (Short Pins 3+4)

Rated Current: 1.80Arms

Rated Voltage: 300Vac

DCR: 0.120 Ohms Max, Each wdg

Turns Ratio: (1-2):(4-3) = 1.000:1.000±2%

Hipot: 2000VAC 1 second (PIN1-2 TO PIN3-4)

Notes:

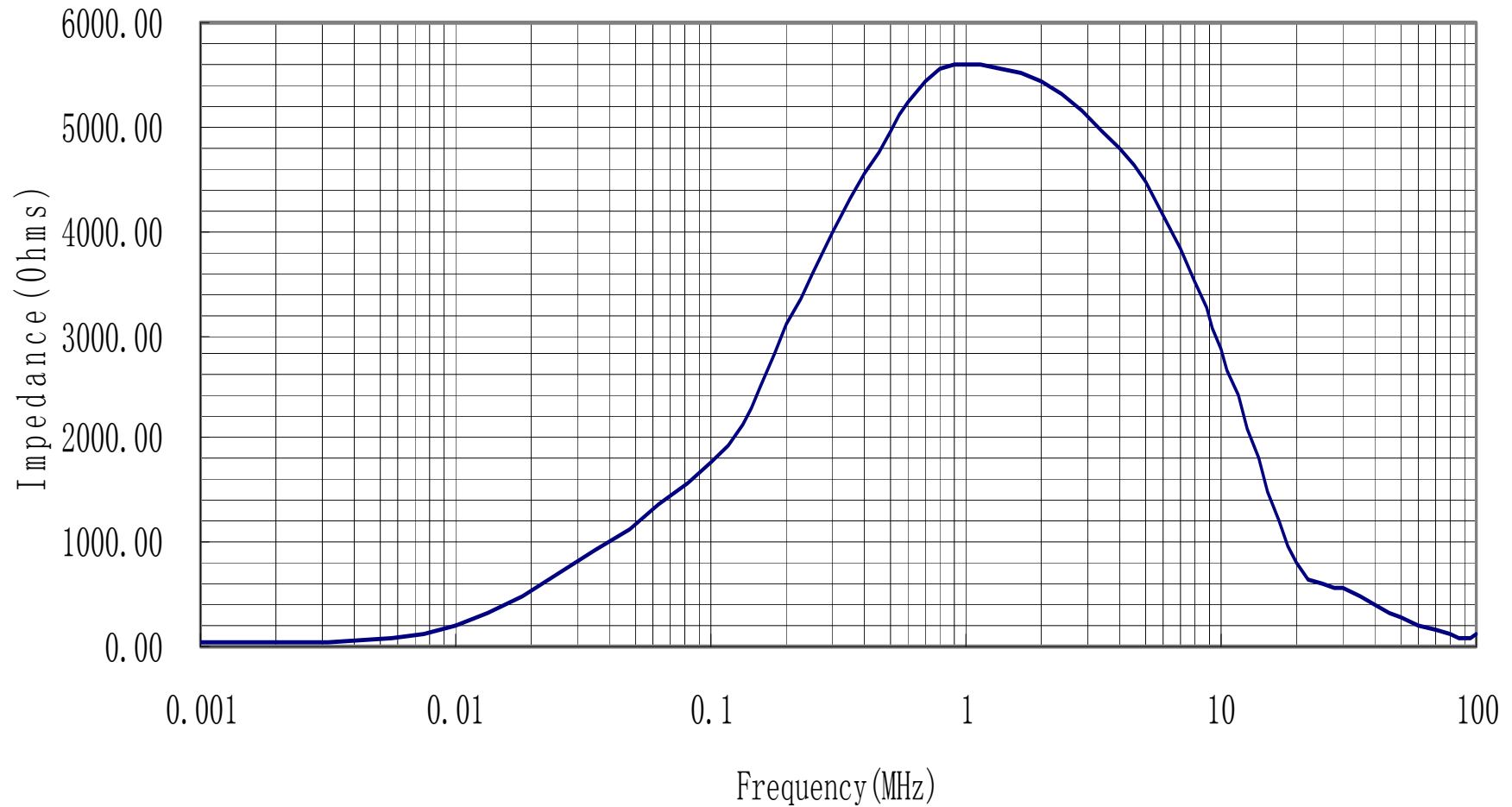
1. Solderability: Leads shall meet MIL-STD-202G, Method 208H for solderability.
2. Flammability: UL94V-0
3. ASTM oxygen index: > 28%
4. Insulation System: Class F 155°C. UL file E151556
5. Operating Temperature Range: All listed parameters are to be within tolerance from -40°C to +105°C
6. Storage Temperature Range: -55°C to +125°C
7. Aqueous wash compatible
8. Electrical and mechanical specifications 100% tested
9. RoHS Compliant Component

DOC. REV: A/3

XFMRs Inc www.XFMRs.com	Title: LINE FILTER		
	UNLESS OTHERWISE SPECIFIED TOLERANCES: .xx ±0.25 Dimensions in MM	P/N: XF0114-00U3	REV. A
SHEET 1 OF 2	DWN.	Yuan	Mar-25-14
	CHK.	YK Liao	Mar-25-14
	APP.	BW	Mar-25-14

PROPRIETARY

Document is the property of XFMRs Group & is not allowed to be duplicated without authorization.



DOC. REV: A/3

XFMRs Inc www.XFMRS.com	Title: LINE FILTER		
	UNLESS OTHERWISE SPECIFIED TOLERANCES: .xx ±0.25 Dimensions in MM		P/N: XF0114-00U3
SHEET 2 OF 2	DWN.	Yuan	Mar-25-14
	CHK.	YK Liao	Mar-25-14
	APP.	BW	Mar-25-14

PROPRIETARY

Document is the property of XFMRs Group & is not allowed to be duplicated without authorization.