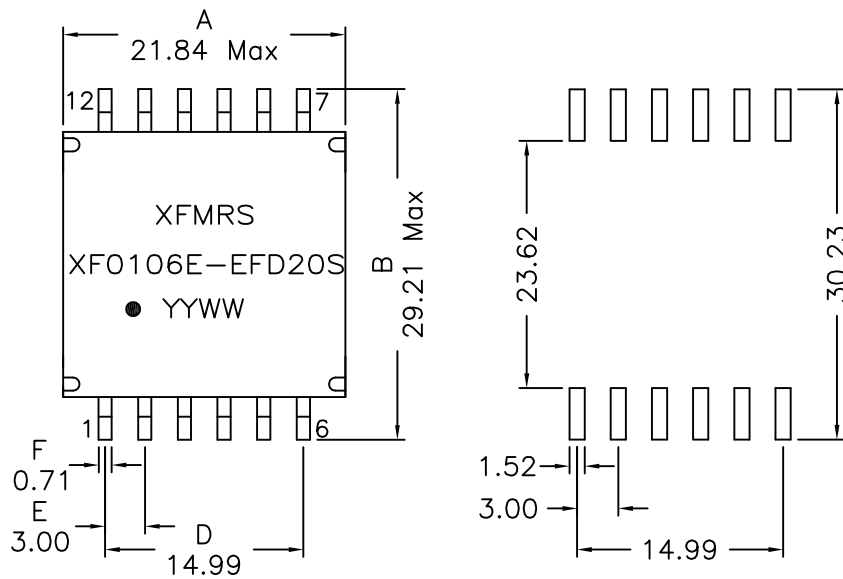
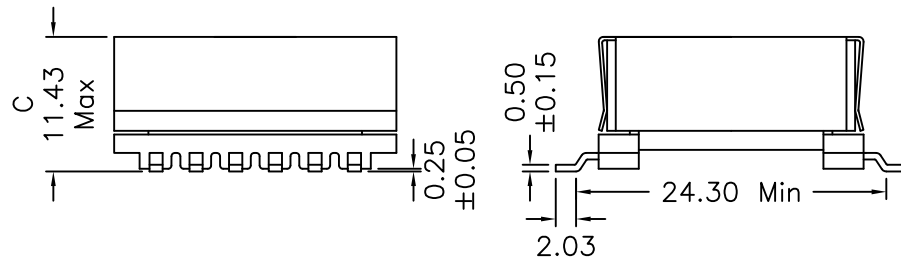


1. Mechanical Dimensions:

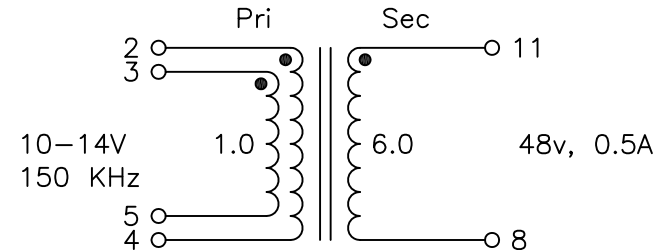


Suggested PCB Layout

Notes:

1. Solderability: Leads shall meet MIL-STD-202G, Method 208H for solderability.
2. Flammability: UL94V-0
3. ASTM oxygen index: > 28%
4. Insulation System: Class F 155°C. UL file E151556
5. Operating Temperature Range: All listed parameters are to be within tolerance from -40°C to +130°C
6. Storage Temperature Range: -55°C to +125°C
7. Aqueous wash compatible
8. SMD Lead Coplanarity: ±0.004"(0.102mm)
9. Electrical and mechanical specifications 100% tested
10. RoHS Compliant Component
11. Recommended IR Reflow peak temp of 250°C Max.

2. Schematic:



3. Electrical Specifications: @25°C

OCL: Pins 2,3-4,5 10uH±10% @10KHz, 0.1V

Q: Pins 2,3-4,5 5 Min @10KHz, 0.1V

LL: Pins 2,3-4,5 0.3uH Max @100KHz, 0.1V Short Sec

Cw/w: Pins 2,3-11 150pF Max @100KHz, 0.1V

DCR: Pins 2-4 31.5 mOhms Max

Pins 3-5 31.5 mOhms Max

Pins 11-8 560 mOhms Max

Turns Ratio: (11-8):(2-4):(3-5)=1.000:0.167:0.167±2%

Hipot: 1500Vrms, Pri to Sec

DOC. REV: A/1

XFMRS Inc www.XFMRS.com	Title: Flyback Transformer		
	UNLESS OTHERWISE SPECIFIED	P/N: XF0106E-EFD20S	REV. A
	TOLERANCES: .xx ±0.25	DWN.	Yuan
	Dimensions in MM	CHK.	YK Liao
SHEET 1 OF 1	APP.	Joe Huff	Apr-21-14