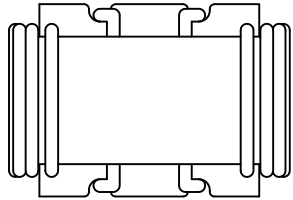
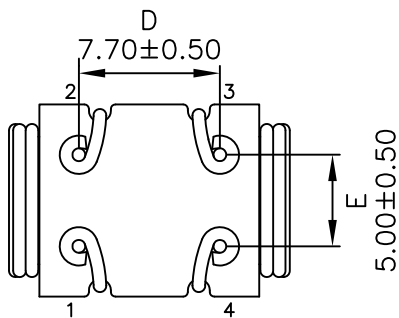
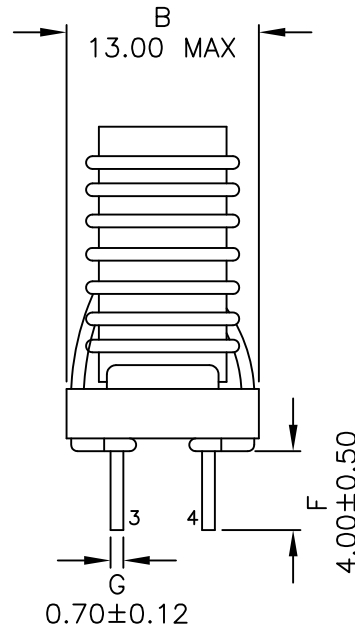
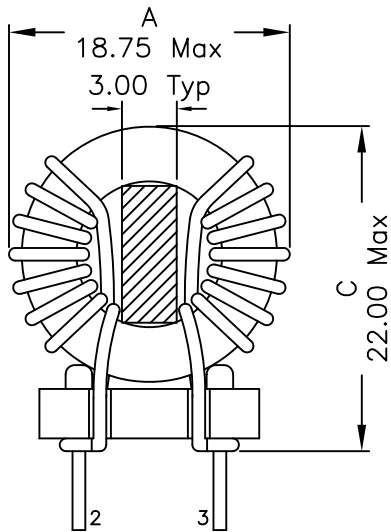


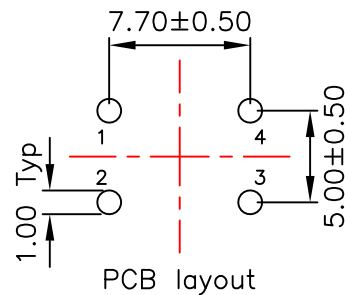
1. Mechanical Dimensions:



Top view

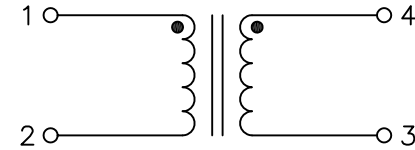


Bottom view



PCB layout

2. Schematic:



3. Electrical Specifications: @25°C

OCL: 10mH±30% @10KHz, 0.1V Each Wdg

Q: Pins 1-2 10 Min @10KHz, 0.1V

Rated current: 1.0A Max

Rated voltage: 250Vac Max 50Hz

DCR: Pins 1-2 360 mOhms Max

Pins 4-3 360 mOhms Max

Turns Ratio: (1-2):(4-3) = 1.000:1.000±2%

Hipot: 1500Vac, Wdgs to Wdgs, 50Hz

SRF: Pins 1-2 100KHz Min

Notes:

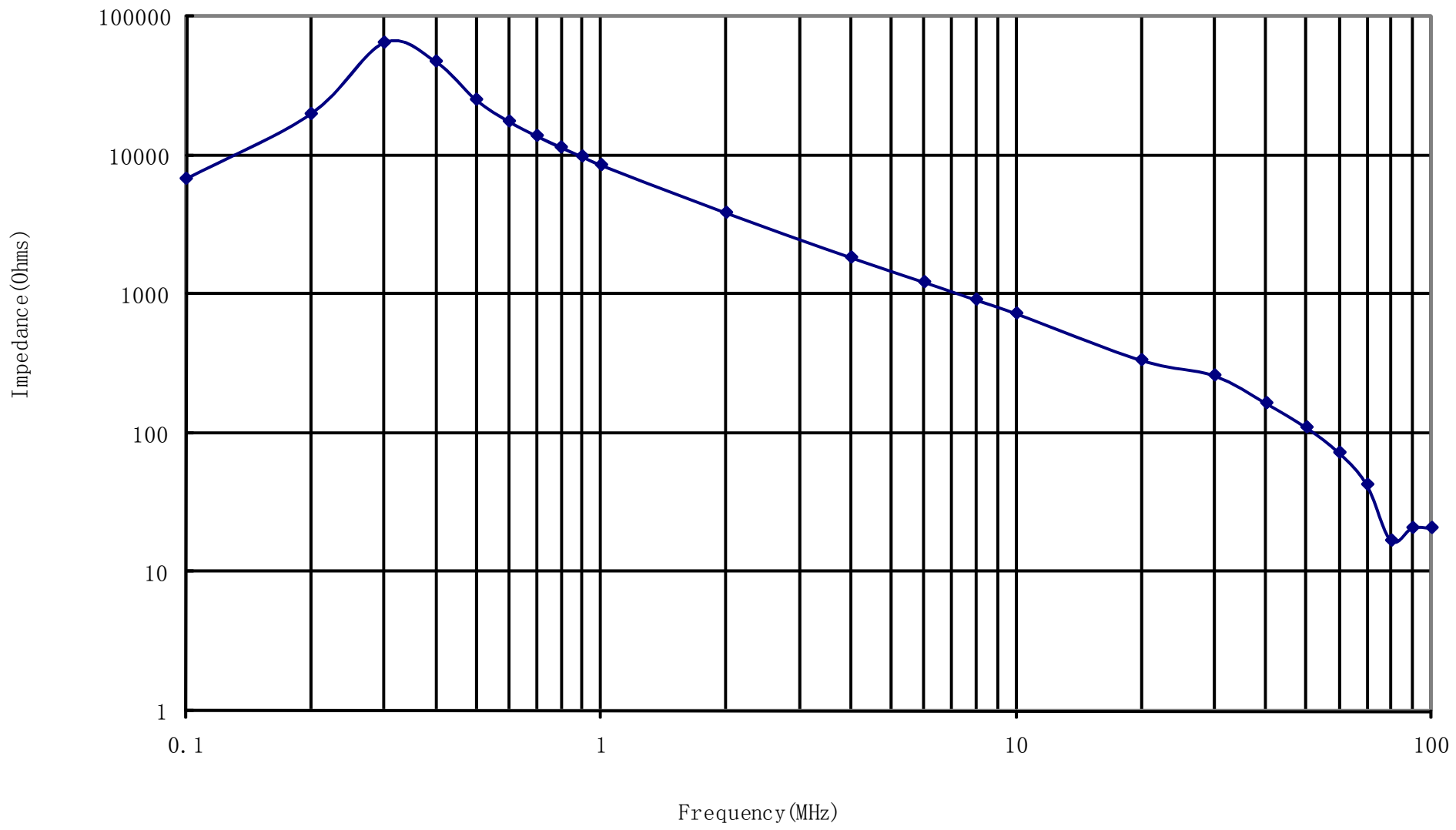
1. Solderability: Leads shall meet MIL-STD-202G, Method 208H for solderability.
2. Flammability: UL94V-0
3. ASTM oxygen index: > 28%
4. Insulation System: Class F 155°C. UL file E151556
5. Operating Temperature from -40°C to +85°C
6. Storage Temperature Range: -20°C to +60°C
7. Aqueous wash compatible
8. Electrical and mechanical specifications 100% tested
9. RoHS Compliant Component

XFMRs Inc www.XFMRs.com	Title: COMMON MODE CHOKE		
	UNLESS OTHERWISE SPECIFIED	P/N: XF0103-VMCMC7	REV. A
TOLERANCES: .xx ±0.25	DWN.	Yuan	Feb-23-17
Dimensions in MM	CHK.	YK Liao	Feb-23-17
SHEET 1 OF 2	APP.	BW	Feb-23-17

DOC. REV: A/3

PROPRIETARY

Document is the property of XFMRs Group & is not allowed to be duplicated without authorization.



DOC. REV: A/3

XFMRs Inc www.XFMRS.com	Title: COMMON MODE CHOKE		
	UNLESS OTHERWISE SPECIFIED TOLERANCES: .xx ±0.25 Dimensions in MM	P/N: XF0103-VMCMC7	REV. A
SHEET 2 OF 2	DWN.	Yuan	Feb-23-17
	CHK.	YK Liao	Feb-23-17
	APP.	BW	Feb-23-17

PROPRIETARY

Document is the property of XFMRs Group & is not allowed to be duplicated without authorization.