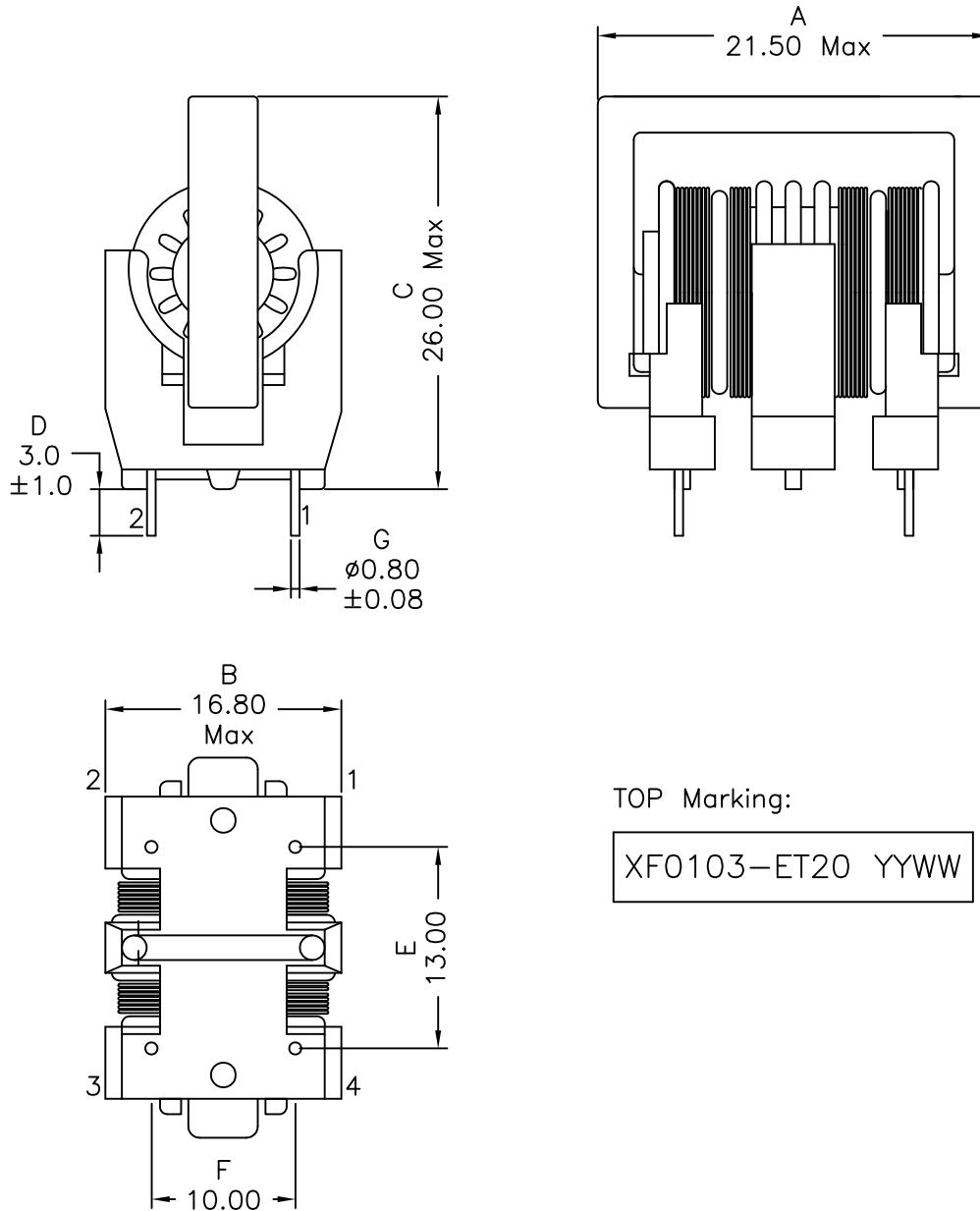


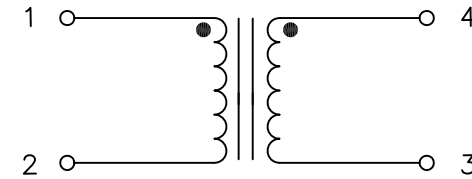
1. Mechanical Dimensions:



TOP Marking:

XF0103-ET20 YYWW

2. Schematic:



3. Electrical Specifications: @25°C

OCL: 10mH-30/+50% @1KHz, 0.1V Each Wdg

Q: Pins 1-2 6 Min @1KHz, 0.1V

LL: Pins 1-2 50uH Min @100KHz, 0.1V

DCR: 0.300 Ohms Typ, Each Wdg

IDC: 1.4Arms Max

Rated Voltage: 250Vac/dc

Isolation Voltage: 1500Vac Wdg to Wdg

Notes:

- Solderability: Leads shall meet MIL-STD-202G, Method 208H for solderability.
- Flammability: UL94V-0
- ASTM oxygen index: > 28%
- Insulation System: Class F 155°C. UL file E151556
- Operating Temperature Range: All listed parameters are to be within tolerance from -40°C to +115°C
- Storage Temperature Range: -55°C to +125°C
- Aqueous wash compatible
- Electrical and mechanical specifications 100% tested
- RoHS Compliant Component

XFMRs Inc www.XFMRs.com	Title: LINE FILTER		
	UNLESS OTHERWISE SPECIFIED TOLERANCES:		P/N: XF0103-ET20
.xx ±0.30	DWN.	Yuan	Nov-19-14
Dimensions in MM	CHK.	YK Liao	Nov-19-14
SHEET 1 OF 1	APP.	DDC	Nov-19-14

DOC. REV: A/13

PROPRIETARY

Document is the property of XFMRs Group & is not allowed to be duplicated without authorization.