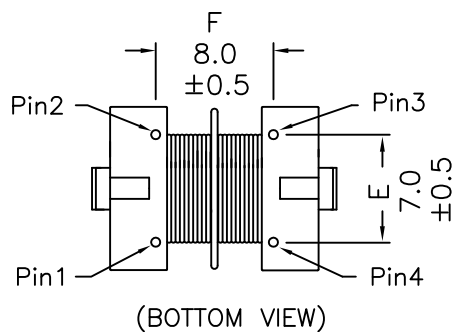
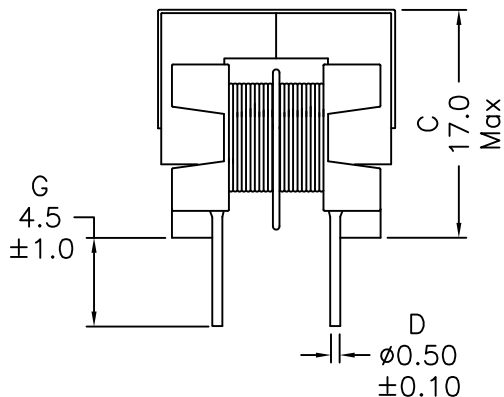
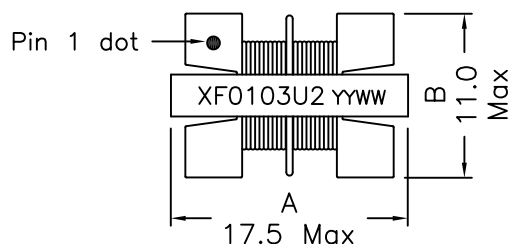
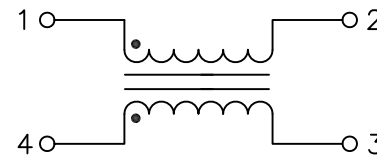


### 1. Dimensions:



### 2. Schematic:



### 3. Electrical Specifications:

Turns Ratio: (1-2) : (4-3) = 1:1±1%

Inductance: 10mH Min @10KHz 0.1V each

DC Resistance: 4.50 ohms Max each

Rated Current: 0.230Arms

Isolation: 2000Vac Wdg-Wdg, Wdgs-Core

Rated Voltage: 250VAC Max

#### Notes:

1. Solderability: Leads shall meet MIL-STD-202G, Method 208H for solderability.
2. Flammability: UL94V-0
3. ASTM oxygen index: > 28%
4. Insulation System: Class F 155°C. UL file E151556
5. Operating Temperature Range: All listed parameters are to be within tolerance from -40°C to +85°C
6. Storage Temperature Range: -55°C to +125°C
7. Aqueous wash compatible
8. Electrical and mechanical specifications 100% tested
9. RoHS Compliant Component

DOC, REV: A/2

<b>XFMRs Inc</b>	Title: COMMON MODE CHOKE		
	UNLESS OTHERWISE SPECIFIED TOLERANCES: .xx ±0.30 Dimensions in MM		P/N: XF0103-00U2 REV. A
SHEET 1 OF 1	DWN.	Juan Mao	Oct-24-06
	CHK.	YK Liao	Oct-24-06
	APP.	Joe Huff	Oct-24-06

**PROPRIETARY**

Document is the property of XFMRs Group & is not allowed to be duplicated without authorization.