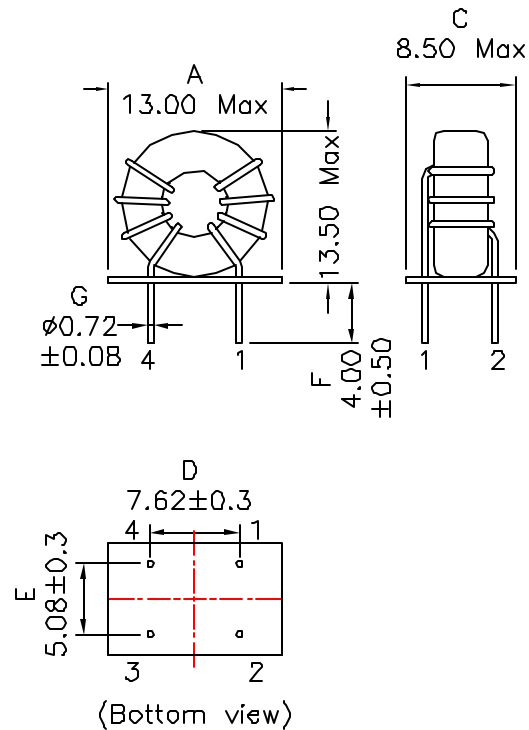
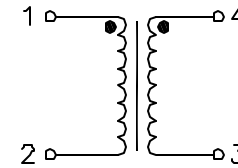


1. Mechanical Dimensions:



2. Schematic:



3. Electrical Specifications: @25°C

OCL: 8.0uH Min @100KHz 0.1V, Each Wdg

DCR: 4.0 mOhms Max, Each Wdg

Hi-pot: 600Vac Wdg to Wdg

Notes:

1. Solderability: Leads shall meet MIL-STD-202G, Method 208H for solderability.
2. Flammability: UL94V-0
3. ASTM oxygen Index: > 28%
4. Insulation System: Class F 155°C. UL file E151556
5. Operating Temperature Range: All listed parameters are to be within tolerance from -40°C to +85°C
6. Storage Temperature Range: -40°C to +85°C
7. Aqueous wash compatible
8. Electrical and mechanical specifications 100% tested
9. RoHS Compliant Component

DOC REV: A/2

PROPRIETARY Document is the property of XFMRS Group & is not allowed to be duplicated without authorization.

XFMRS Inc www.XFMRS.com	Title: COMMON MODE CHOKE		
UNLESS OTHERWISE SPECIFIED TOLERANCES: .xx ±0.25 Dimensions in MM	P/N: XF0086-VMCMC	REV. A	
	DWN.	Juan Mao	Mar-26-08
SHEET 1 OF 1	CHK.	YK Liao	Mar-26-08
	APP.	BW	Mar-26-08