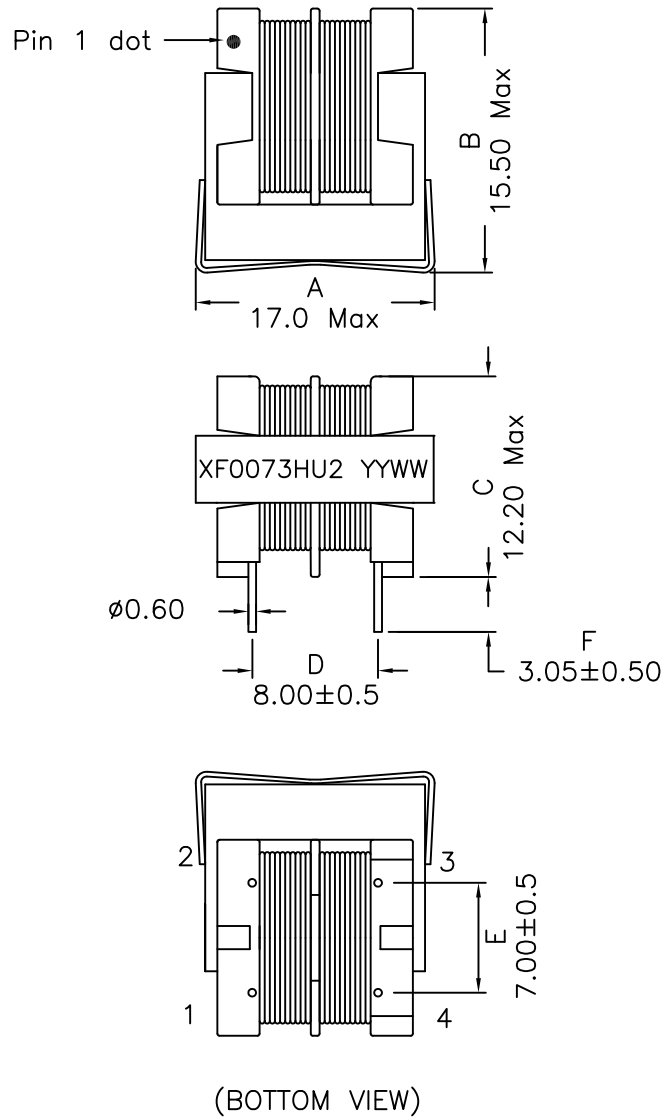
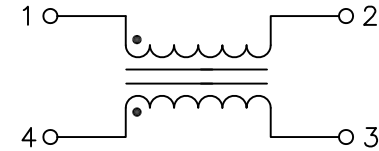


1. Mechanical Dimensions:



2. Schematic:



3. Electrical Specifications: @25°C

Impedance: 66KOhms Max @ 330KHz

TURN RATIO: (PIN1-2) : (PIN4-3) = 1:1±1%

INDUCTANCE: 7mH Min. @10KHz 0.1V

INDUCTANCE: 3.85mH Min. @10KHz 0.1V,
-40°C to +85°C

Q: Pins 1-2 30 Min @10KHz 0.1V

DCR: Pins 1-2 2.50 ohms Max

DCR: Pins 4-3 2.50 ohms Max

Rated Current: 0.30AAC

HIPOT: 2000VAC (PIN1-2 TO PIN4-3)

HIPOT: 2000VAC (Windings to Core)

Notes:

1. Solderability: Leads shall meet MIL-STD-202G, Method 208H for solderability.
2. Flammability: UL94V-0
3. ASTM oxygen index: > 28%
4. Insulation System: Class F 155°C. UL file E151556
5. Operating Temperature Range: All listed parameters are to be within tolerance from -40°C to +85°C
6. Storage Temperature Range: -55°C to +125°C
7. Aqueous wash compatible
8. Electrical and mechanical specifications 100% tested
9. RoHS Compliant Component

DOC. REV: A/3

XFMRs Inc www.XFMRS.com	Title: COMMON MODE CHOKE		
	UNLESS OTHERWISE SPECIFIED TOLERANCES: .xx ±0.30 Dimensions in MM		P/N: XF0073H-00U2
SHEET 1 OF 1	DWN.	Yuan	Dec-10-12
	CHK.	YK Liao	Dec-10-12
	APP.	BSJ	Dec-10-12