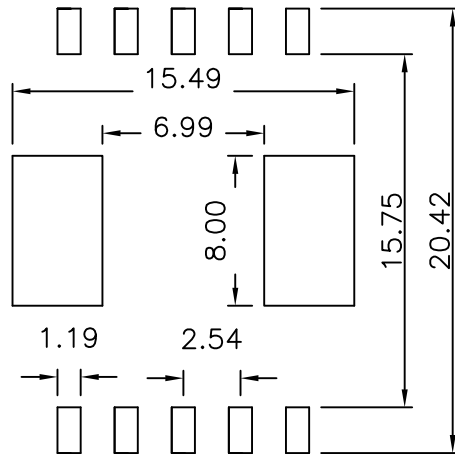
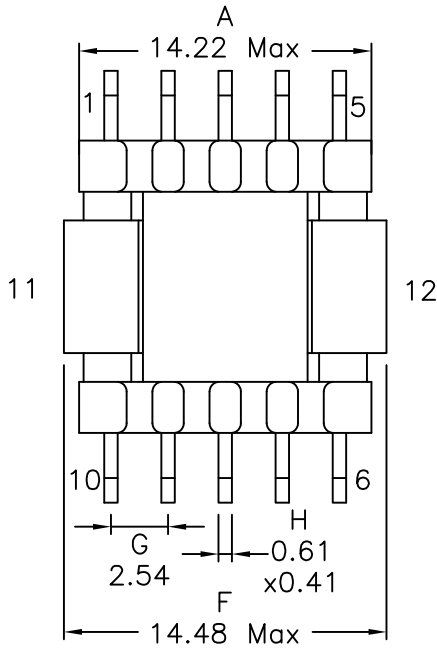
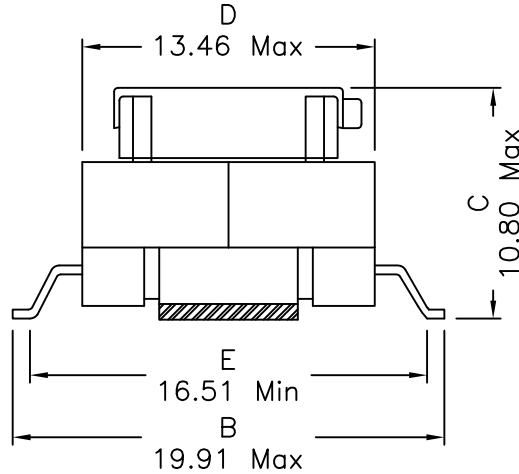
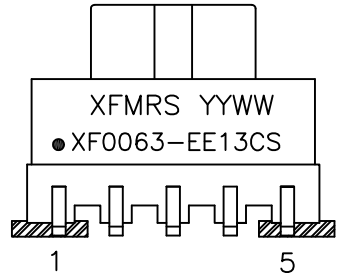
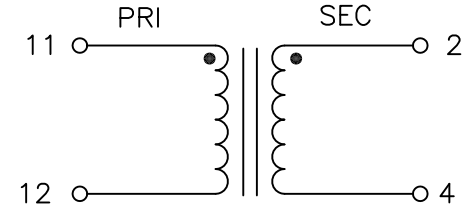


1. Mechanical Dimensions:



2. Schematic:



3. Electrical Specifications:

OCL: Pins 2-4 5.60mH Min @1KHz 0.050V

Q: Pins 2-4 15 Min @1KHz 0.050V

DCR: Pins 2-4 1.40 Ohms Max

Pins 11-12 2.80 mOhms Max

Turns ratio: (11-12):(2-4)=1:100±3%

Hipot: 500Vac, Wdg to Wdg

Pri Current Rating: 35A

Notes:

1. Solderability: Leads shall meet MIL-STD-202G, Method 208H for solderability.
2. Flammability: UL94V-0
3. ASTM oxygen index: > 28%
4. Insulation System: Class F 155°C. UL file E151556
5. Operating Temperature Range: All listed parameters are to be within tolerance from -40°C to +85°C
6. Storage Temperature Range: -55°C to +125°C
7. Aqueous wash compatible
8. SMD Lead Coplanarity: ±0.004"(0.102mm)
9. Electrical and mechanical specifications 100% tested
10. RoHS Compliant Component

XFMRS Inc www.XFMRS.com		Title: Current Sense Xfmr	
UNLESS OTHERWISE SPECIFIED	P/N: XF0063-EE13CS	REV. A	
TOLERANCES: .xx ±0.25	DWN.	Xianyi	Jul-12-16
Dimensions in MM	CHK.	YK Liao	Jul-12-16
SCALE 3:1 SHT 1 OF 1	APP.	GL	Jul-12-16

DOC REV: A/5

PROPRIETARY

Document is the property of XFMRS Group & is not allowed to be duplicated without authorization.