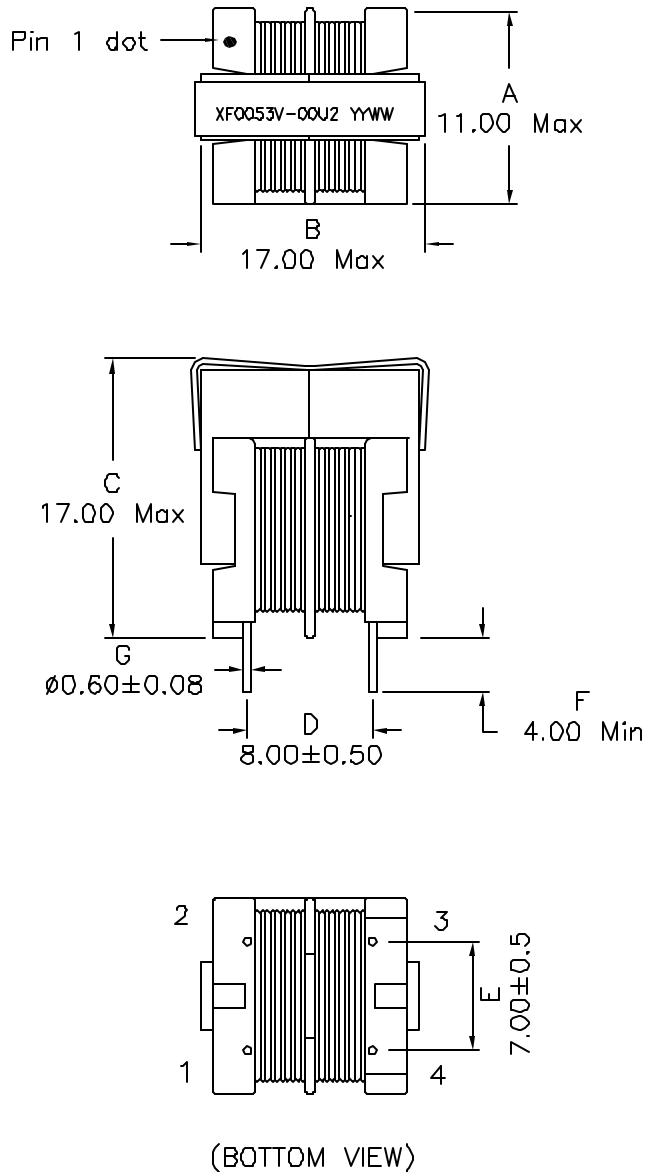
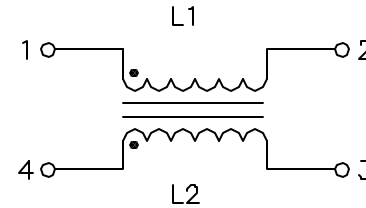


1. Dimensions:



2. Schematic:



3. Electrical Specifications:

Inductance: 5.0mH Min @1KHz 1.0V Each Wdg.

Insulation Resistance: 100 MOhms Min

DCR: 1.00 Ohms Max Each Wdg.

Rated Current: 500mA rms

Rated Voltage: 250Vac

Hipot: 3750Vrms Wdg to Wdg

Notes:

1. Solderability: Leads shall meet MIL-STD-202G, Method 208H for solderability.
2. Flammability: UL94V-0
3. ASTM oxygen index: > 28%
4. Insulation System: Class F 155°C. UL file E151556
5. Operating Temperature Range: All listed parameters are to be within tolerance from -55°C to +125°C
6. Storage Temperature Range: -55°C to +125°C
7. Aqueous wash compatible
8. Electrical and mechanical specifications 100% tested
9. RoHS Compliant Component

XFMRs Inc www.XFMRs.com	Title: AC LINE FILTER		
	UNLESS OTHERWISE SPECIFIED TOLERANCES:	P/N: XF0053V-00U2	REV. A
.xx ±0.25	DWN.	廖玉坤	Jul-27-07
Dimensions in MM	CHK.	李清儿	Jul-27-07
SHEET 1 OF 1	APP.	MS	Jul-27-07

DOC. REV. A/2