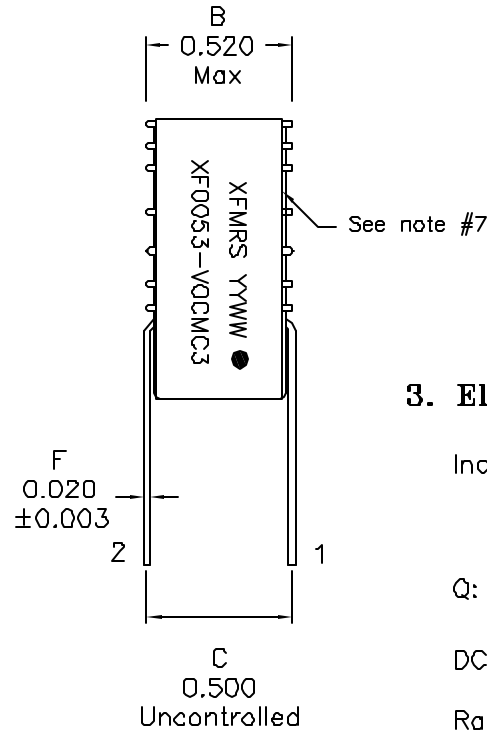
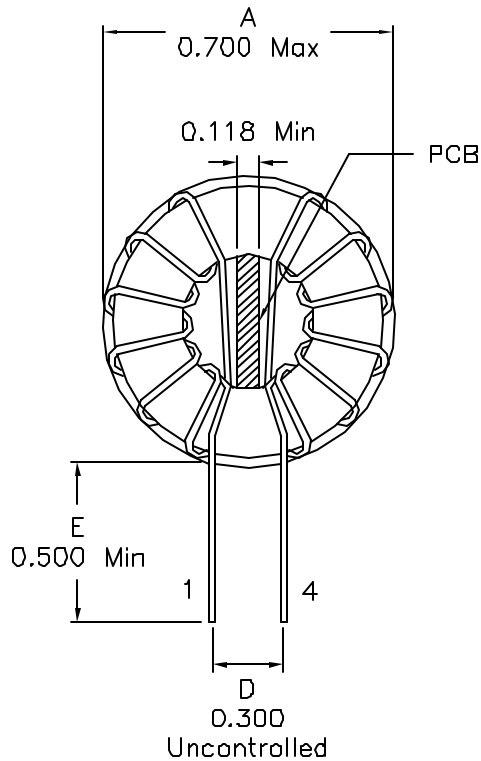
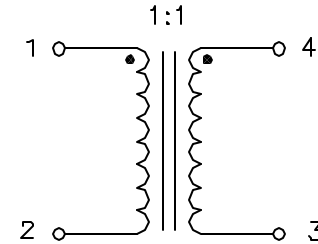


1. Mechanical Dimensions:



2. Schematic:



3. Electrical Specifications: @25°C

Inductance: 5.0mH Min @10KHz 0.05V, Each Wdg (0°C to +85°C)

1.8mH Min @10KHz 0.05V, Each Wdg (-40°C to 0°C)

Q: 30 Min @10KHz 0.05V, Each Wdg

DC Res: 0.110 Ohms Max, Each Wdg

Rated Current; 2.0Arms

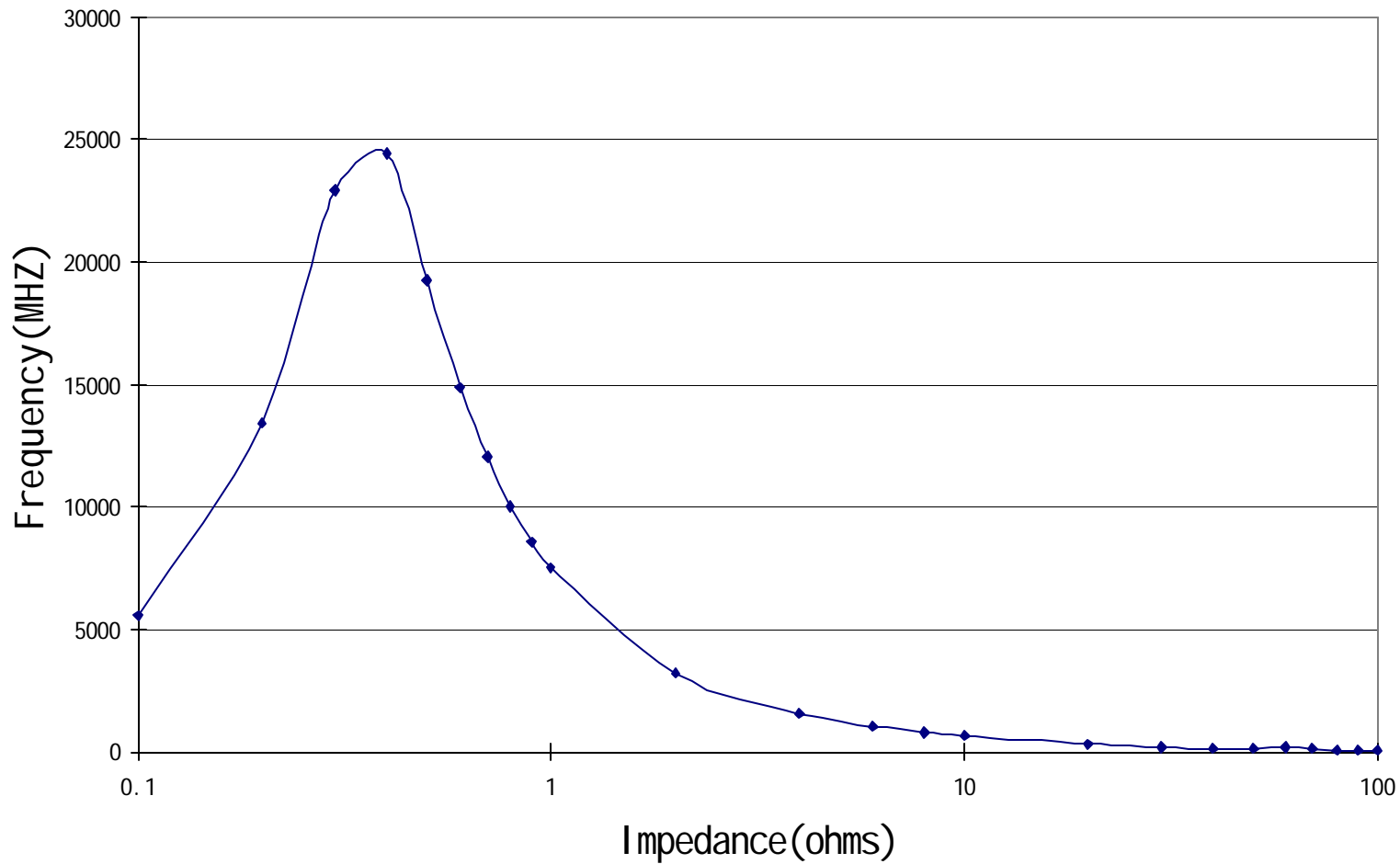
Isolation: 1500Vrms, Wdg to Wdg, 3mA Max Leakage

Notes:

1. Solderability: Leads shall meet MIL-STD-202G, Method 208H for solderability.
2. Flammability: UL94V-0
3. ASTM oxygen Index: > 28%
4. Insulation System: Glass F 155°C, UL file E151556
5. All listed parameters are to be within tolerance from -40°C to +85°C unless otherwise noted.
6. Storage Temperature Range: -55°C to +125°C
7. Aqueous wash compatible
8. Electrical and mechanical specifications 100% tested
9. RoHS Compliant Component

DOC REV: A/2

XFMRS Inc www.XFMRS.com	Title: Common Mode Choke		
	UNLESS OTHERWISE SPECIFIED	P/N: XF0053-VDCMC3	REV. A
TOLERANCES: .xx ±0.015	DWN.	Feng	Mar-17-11
Dimensions in Inch	CHK.	YK Liao	Mar-17-11
SHEET 1 OF 2	APP.	Joe Huff	Mar-17-11



DOC REV: A/2

XFMRs Inc www.XFMRS.com	Title: Common Mode Choke		
	UNLESS OTHERWISE SPECIFIED TOLERANCES: .xx ±0.015 Dimensions in Inch		P/N: XF0053-VDCMC3
SHEET 2 OF 2	DWN.	Feng	Mar-17-11
	CHK.	YK Liao	Mar-17-11
	APP.	Joe Huff	Mar-17-11