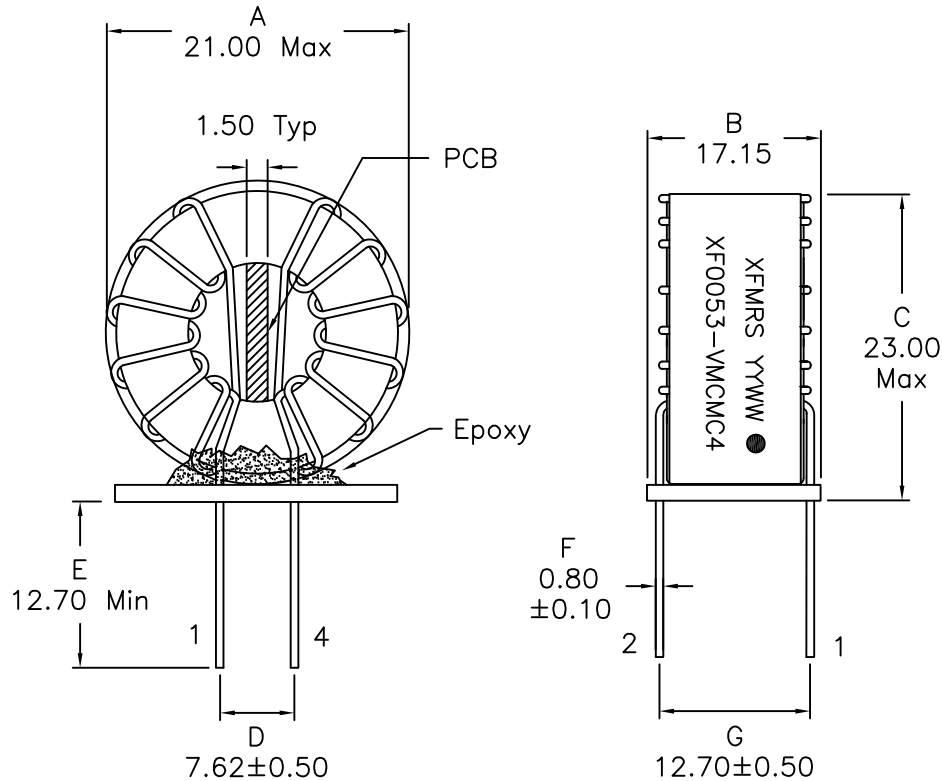
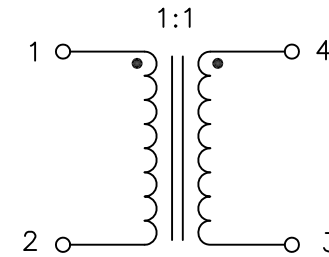


### 1. Mechanical Dimensions:



### 2. Schematic:



### 3. Electrical Specifications: @25°C

Inductance: 5.0mH Min @10KHz 0.05V, Each Wdg (0°C to +85°C)

1.5mH Min @10KHz 0.05V, Each Wdg (-40°C to 0°C)

Q: 5 Min @10KHz 0.05V, Each Wdg

DC Res: 0.045 Ohms Max, Each Wdg

Rated Current; 4.0Arms

Isolation: 1500Vrms, Wdg to Wdg, 3mA Max Leakage

#### Notes:

1. Solderability: Leads shall meet MIL-STD-202G, Method 208H for solderability.
2. Flammability: UL94V-0
3. ASTM oxygen index: > 28%
4. Insulation System: Class F 155°C. UL file E151556
5. All listed parameters are to be within tolerance from -40°C to +85°C unless otherwise noted.
6. Storage Temperature Range: -55°C to +125°C
7. Aqueous wash compatible
8. Electrical and mechanical specifications 100% tested
9. RoHS Compliant Component

DOC REV: A/4

<b>XFMRS Inc</b> www.XFMRS.com	Title: <b>Common Mode Choke</b>		
	UNLESS OTHERWISE SPECIFIED TOLERANCES: .xx ±0.25 Dimensions in MM	P/N: XF0053-VMCMC4	REV. A
SHEET 1 OF 2	DWN.	Yuan	Dec-24-12
	APP.	YK Liao	Dec-24-12
	CHK.	BW	Dec-24-12