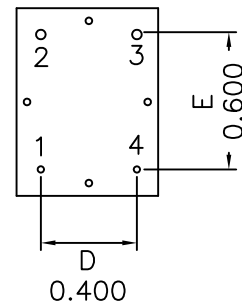
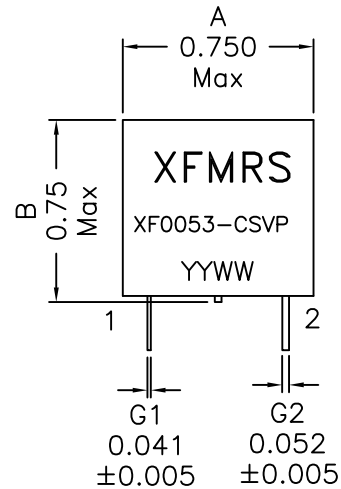
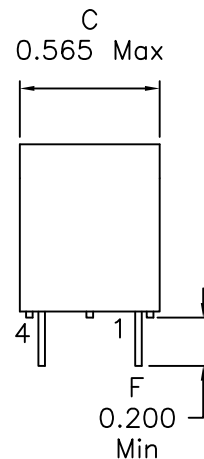


1. Mechanical Dimensions:



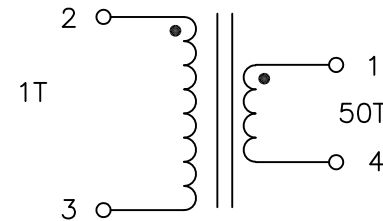
Bottom View



Notes:

1. Solderability: Leads shall meet MIL-STD-202G, Method 208H for solderability.
2. Flammability: UL94V-0
3. ASTM oxygen index: > 28%
4. Insulation System: Class F 155°C. UL file E151556
5. Operating Temperature: -40°C to +85°C
6. Storage Temperature Range: -55°C to +125°C
7. Aqueous wash compatible
8. Electrical and mechanical specifications 100% tested
9. RoHS Compliant Component

2. Schematic:



3. Electrical Specifications: @25°C

OCL: Pin 1-4 5mH Min @15.75KHz,1.0Vrms

Pin 1-4 0.5mH Min @15.75KHz,1.0Vrms at -40C to 85C

Q: Pri 15 Min @15.75kHz,1.0V

DCR: P2-3 0.001 Ohms Max

P1-4 0.7 Ohms Max

Sensed Current: 35A Max

Frequency Range: 3 - 1000 kHz

Volt-Time Product: 149 uSec

Terminating Resistor: 1.4 Ohm

Turns: 50

Isolation: 3750 Vrms Pri to Sec

SRF: P1-4 450KHz Min

DOC. REV: A/3

XFMRS Inc. www.XFMRS.com	Title: Current Sense Transformer			
	UNLESS OTHERWISE SPECIFIED TOLERANCES: .xxx ±0.010 Dimensions in Inch		P/N: XF0053-CSVP DWN. Xiang CHK. YK Liao APP. BW	REV. A Jan-02-17 Jan-02-17 Jan-02-17
SHEET 1 OF 1				