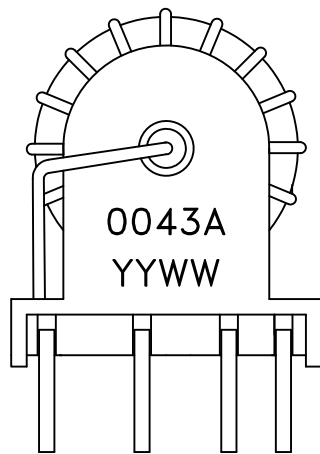
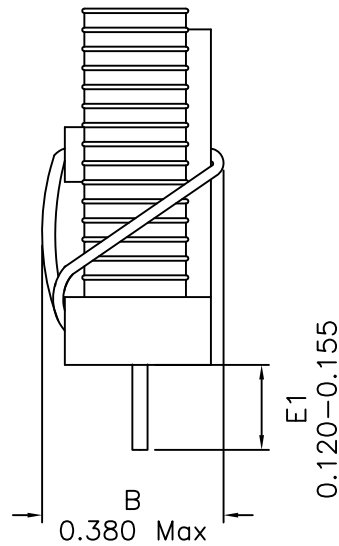
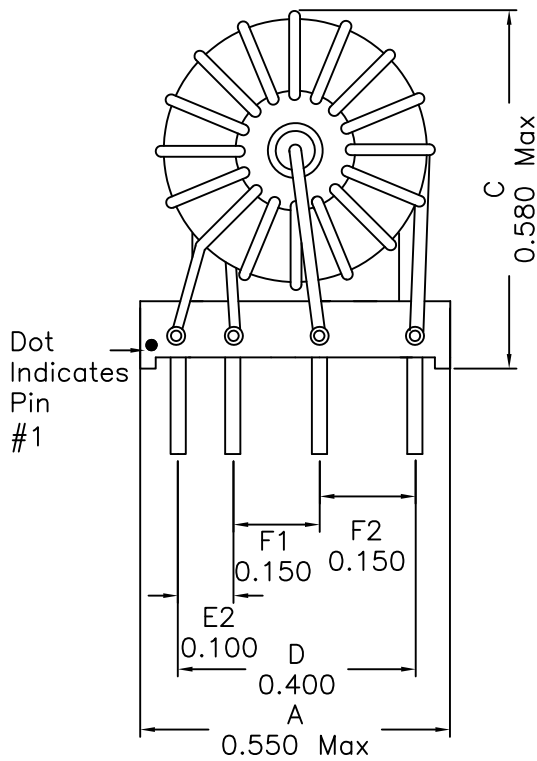


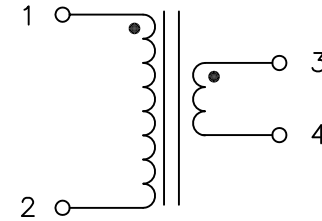
## 1. Mechanical Dimensions:



### Notes:

- Solderability: Leads shall meet MIL-STD-202G, Method 208H for solderability.
- Flammability: UL94V-0
- ASTM oxygen index: > 28%
- Insulation System: Class F 155°C. UL file E151556
- All listed parameters are to be within tolerance from -40°C to +85°C unless otherwise noted.
- Storage Temperature Range: -55°C to +125°C
- Aqueous wash compatible
- Electrical and mechanical specifications 100% tested
- RoHS Compliant Component

## 2. Schematic:



## 3. Electrical Specifications: @25°C

- Termination Resistor: 7.5 Ohms for 0.15V/Amp  
 OCL: Pins 1-2 4000uH Min @100KHz 0.16V  
       Pins 1-2 2000uH Min @100KHz 0.16V -40°C to 0°C  
 Q: Pins 1-2 5 Min @100KHz 0.16V  
 Rated Current: 20A Max  
 DCR: Pins 3-4 0.006 Ohms Max  
       Pins 1-2 0.300 Ohms Max  
 Operating Frequency: 200 to 500KHz  
 Hipot: 500Vac, Wdgs to Wdgs

DOC. REV: A/5

<b>XFMRs Inc.</b> www.XFMRS.com		Title: CURRENT SENSING TRANSFORMER	
UNLESS OTHERWISE SPECIFIED TOLERANCES: .xxx±0.010 Dimensions in INCH	P/N: XF0043A-VTM370CS	REV. A	
	DWN.	Yuan	Sep-24-13
	CHK.	YK Liao	Sep-24-13
SHEET 1 OF 1	APP.	DDC	Sep-24-13

**PROPRIETARY**

Document is the property of XFMRs Group & is not allowed to be duplicated without authorization.