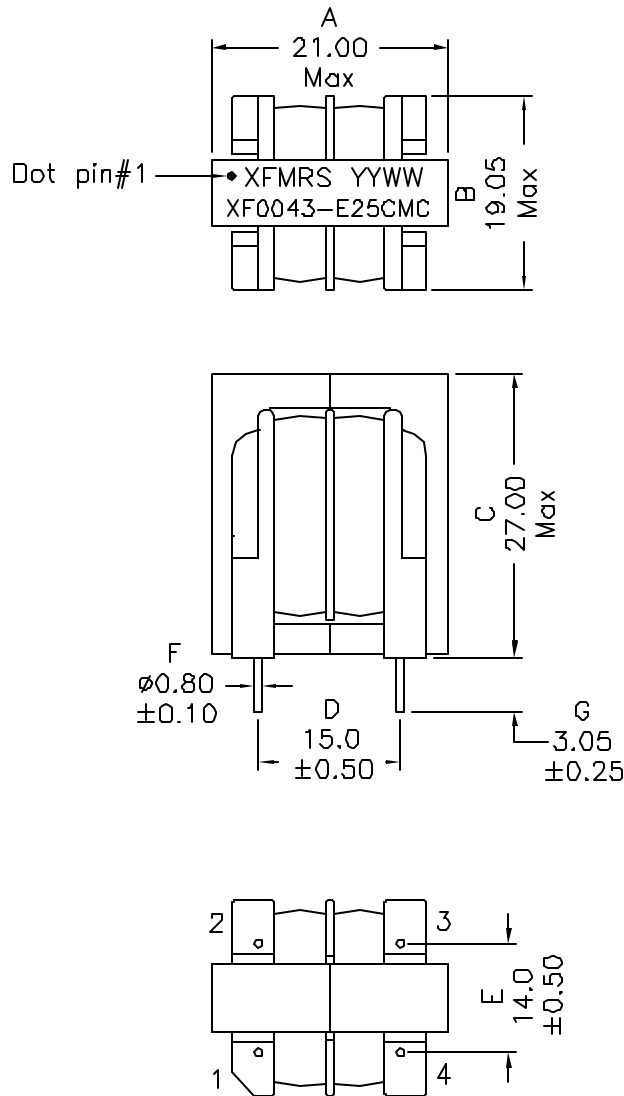
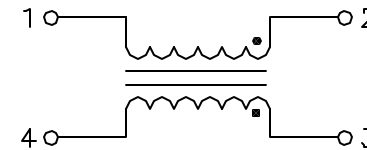


### 1. Dimensions:



(BOTTOM VIEW)

### 2. Schematic:



### 3. Electrical Specifications:

- OCL:  $4\text{mH} \pm 35\%$  @1KHz 0.1V each
- LL: Pins 2-1  $62\mu\text{H} \pm 10\%$  @100KHz 0.1V (short 3-4)
- DC Res.: 0.075 Ohms Max. Each Wdg
- HI-POT: 3750Vrms Wdg to Wdg
- Rated RMS Current: 5.0A
- Rated Voltage: 250Vac 45-400Hz

#### Notes:

- Solderability: Leads shall meet MIL-STD-202G, Method 208H for solderability.
- Flammability: UL94V-0
- ASTM oxygen Index: > 28%
- Insulation System: Class F 155°C. UL file E151556
- Operating Temperature Range: All listed parameters are to be within tolerance from -40°C to +85°C
- Storage Temperature Range: -55°C to +125°C
- Aqueous wash compatible
- Electrical and mechanical specifications 100% tested
- RoHS Compliant Component

<b>XFMRs Inc</b> www.XFMRs.com		Title: COMMON MODE CHOKE	
UNLESS OTHERWISE SPECIFIED TOLERANCES: .xx ±0.25 Dimensions in MM	P/N: XF0043-E25CMC		REV. A
	DWN.	Juan Mao	Feb-21-08
SHEET 1 OF 1	CHK.	YK liao	Feb-21-08
	APP.	Joe Huff	Feb-21-08

DOC. REV. A/1