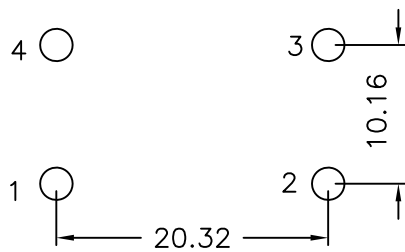
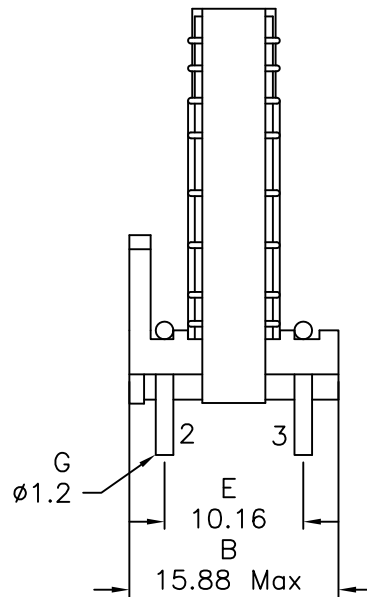
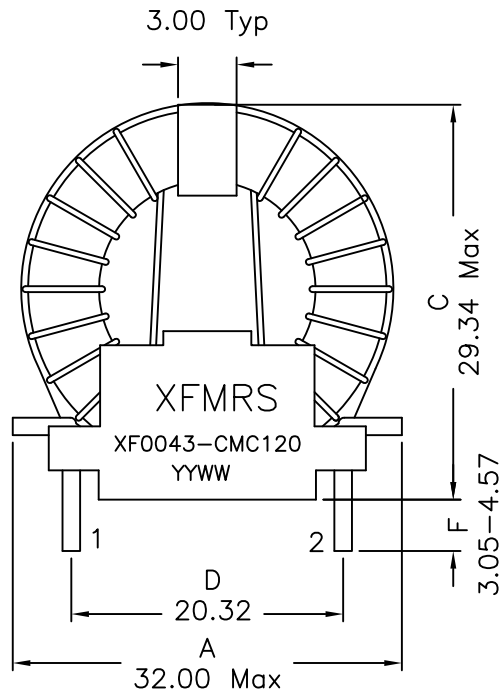
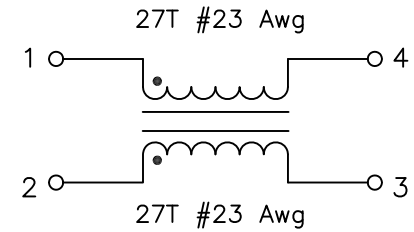


### 1. Mechanical Dimensions:



SUGGESTED FOOTPRINT

### 2. Schematic:



CORE: Acme A10 T25\*15\*8C

### 3. Electrical Specifications:

OCL: 4.0mH Min @15.75KHz 0.1V, Each Wdg

Q: Pins 1-4 6 Min @15.75KHz 0.1V

LL: Pins 1-4 70uH Max @100KHz 0.1V,  
Short Pins 2-3

Rated Current: 2.0Arms

DCR: 0.100 Ohms Max, Each Wdg

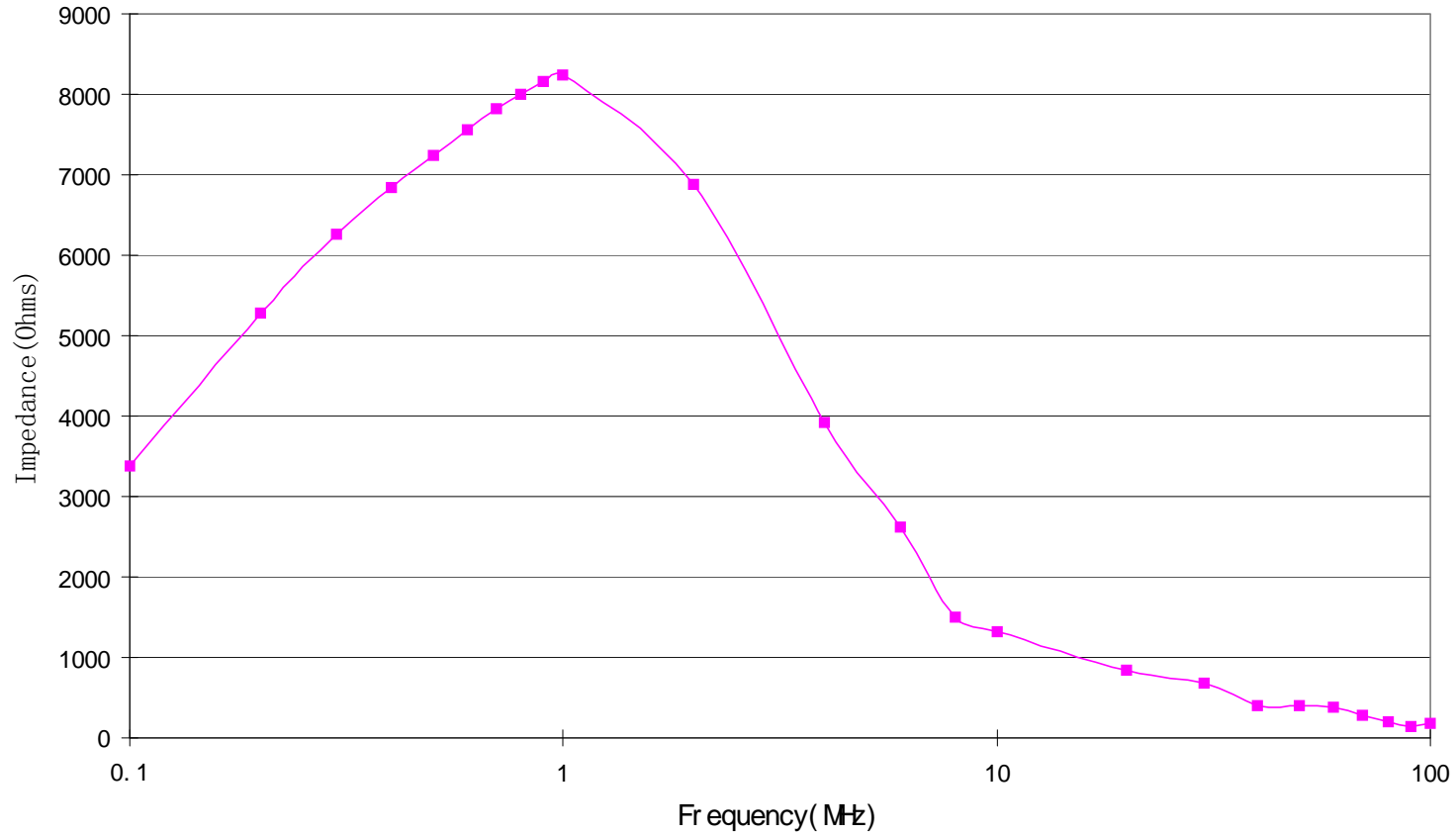
HIPOT: 1250Vrms, Wdg to Wdg

Notes:

1. Solderability: Leads shall meet MIL-STD-202G, Method 208H for solderability.
2. Flammability: UL94V-0
3. ASTM oxygen index: > 28%
4. Insulation System: Class F 155°C. UL file E151556
5. Operating Temperature Range: All listed parameters are to be within tolerance from -40°C to +85°C
6. Storage Temperature Range: -55°C to +125°C
7. Aqueous wash compatible
8. Electrical and mechanical specifications 100% tested
9. RoHS Compliant Component

DOC. REV: A/3

<b>XFMR5 Inc</b> www.XFMR5.com	Title: <b>Common Mode Choke</b>		
	UNLESS OTHERWISE SPECIFIED TOLERANCES: .xx ±0.20 Dimensions in MM	P/N: XF0043-CMC120	REV. A
	DWN.	Feng	Aug-02-12
	CHK.	YK Liao	Aug-02-12
SHT 1 OF 2	APP.	BSJ	Aug-02-12



DOC. REV: A/3

<b>XFMRs Inc</b> www.XFMRS.com	Title: <b>Common Mode Choke</b>			
	UNLESS OTHERWISE SPECIFIED TOLERANCES: .xx ±0.20 Dimensions in MM	P/N: XF0043-CMC120	REV. A	
	DWN.	Feng	Aug-02-12	
	CHK.	YK Liao	Aug-02-12	
SHT 2 OF 2	APP.	BSJ	Aug-02-12	

**PROPRIETARY**

Document is the property of XFMRs Group & is not allowed to be duplicated without authorization.